

# Expectation Setting Document

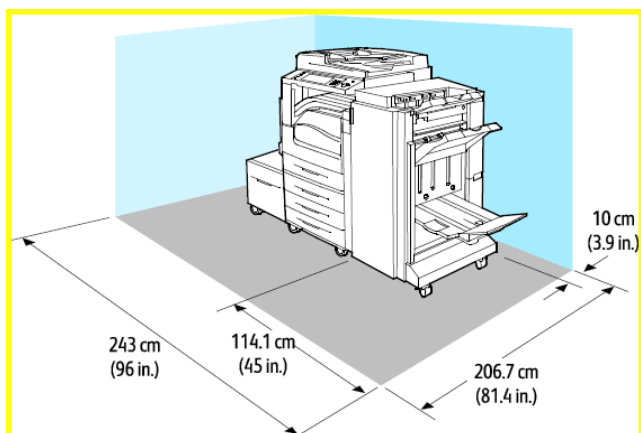
## Xerox WorkCentre 7830/7835/7845/7855

Version 1-2013

This document describes the Xerox WorkCentre 7830/7835/7845/7855 multifunctional products.

### Space Requirements / Service Space Envelope

The dimensions shown below provide the overall service space required, including the space to the nearest obstruction. The dimensions reflect both typical and hallway installations and are absolute minimums.



**Table 1 Space Requirements**

Configuration Dimension and Installation Space:

Configuration	Width (mm)	Depth (mm)	Height (mm)	Installation Space (mm <sup>2</sup> )
Base Config+ Tray Module (TM)	41.9 in/ 1064 mm	27.5 in/ 699 mm	45.2 in/ 1149 mm	61.2" x 81.4" 1554 x 2067
Base Config + TM + Integrated Finisher	44.4 in/1129 mm	27.5 in/ 699 mm	45.2 in/ 1149 mm	61.2" x 81.4" 1554 x 2067
Base Config + TM + Office Finisher LX	65.6 in/ 1666 mm	27.5 in/ 699 mm	45.2 in/ 1149 mm	85.6" x 81.4" 2174 x 2067
Base Config + TM + Office Finisher + Booklet Maker	65.6 in/ 1666 mm	27.9 in/ 709 mm	45.2 in/ 1149 mm	85.6" x 81.4" 2174 x 2067
Base Config + TM + Professional Finisher	75.7 in/ 1922 mm	27.5 in/ 699 mm	45.2 in/ 1149 mm	96" x 81.4" 2430 x 2067

### Mobility Plate

Carpeted flooring surfaces may require the installation of a mobility plate on the IOT and Finishers to allow the product to be moved during normal maintenance activities.

### Audible Noise

	WorkCentre 7830/7835/7845/7855
Sound Pressure Standby dB(A)	18
Sound Pressure Continuous dB(A)	56
Sound Power Standby B(A)	3.6
Sound Power Continuous B(A)	6.8

### Environmental Requirements & Specs.

	Typical value / Range (7830 → 7855)
Temperature	50° F (10° C) - to - 82° F (28° C)
Humidity (non-condensing)	15% RH - to - 85% RH
Altitude (above sea level)	Max of 8,200 ft. (2,500 meters)
Recovery Time – Sleep mode	less than 8 sec


### Power Consumption (watts) (both 120V & 220V configurations)

Configuration	7830	7835	7845	7855
- While running (Avg.)	643	690	763	862
- Standby mode	62	62	112	112
- Low Power mode	59	59	80	80
- Sleep mode	4.2	4.2	4.8	4.8
- Power off	All configurations, 120v – 0.07, 220v – 0.30			

### Configuration Features

The WorkCentre 7830/7835/7845/7855 is delivered with: Print Engine with Scanner, and Embedded Network Controller

## Electrical Requirements

WorkCentre 7830/7835/7845/7855	
Geographies	<b>Western Hemisphere</b>
Line Option	Sole Use (not required but recommended)
Voltage	110 -127 VAC
Amperage	15 A
Frequency	50/60 Hz, Single Phase
Power Cord Length	8.5 feet
Receptacle	NEMA part #: 5-15R
Receptacle diagram	

WorkCentre 7830/7835/7845/7855	
Geographies	<b>Eastern Hemisphere</b>
Line Option	Sole Use (not required but recommended)
Voltage	220 – 240 VAC
Amperage	10 A
Frequency	50/60 Hz, Single Phase
Power Cord Length	2.6 meters
Receptacle	Requires use of a 10 ampere outlet which is standard in most modern office buildings. Consult with local service to determine the country specific receptacle and confirm the existence of this outlet in the proposed installation space.

Ground Fault Protection is provided which meets Xerox internal safety requirements and exceeds the Industry Standards for Information Technology Equipment. A single power cord (see above) is required for the WorkCentre 7800 series

## Installation Considerations

- The customer is responsible for connecting and configuring the equipment on their network.
- There should be a minimum of 78 inches (1,981 mm) clearance from the floor to the nearest overhead obstruction.
- The Base Configuration unit weighs about 321 lbs(146 Kg)
- Electrical requirements and space requirements must be satisfied before the equipment is delivered.
- One network drop is required for installation.

## Fax Telephone Line Requirements (Optional)

If the fax option is installed, the following telephone line requirements are applicable:

1. Telephone wall jack should be within 7' of the middle left side of the back of the unit.
2. Telephone Service Supported:
  - Sole-use, non-switchboard (direct dial)
  - RJ11 – 6 position, 4 pin modular jack
  - Single analog line.
3. For two line fax, a second telephone line meeting the requirements identified in items 1 and 2 above is required.
4. Fax over VOIP is not supported

## Convenience Stapler (Optional)

Requires separate outlet from one required for device. Refer to the above product electrical requirements for outlet type and requirements. The same electrical line as the device may be used; if no other devices are present on the line.

## Energy Star

Energy Star is a government-backed program helping businesses and individuals protect the environment through superior energy efficiency. The WorkCentre 7830/7835/7845/7855 is 2009 Energy Star certified.

The WorkCentre automatically switches to a Low Power mode after an idle period. After an additional idle period, the machine switches to sleep mode, saving additional power. The customer can adjust the "Time to Low Power mode" and the "Time to Sleep Mode" as described in the documentation.

## Operating Supplies / Customer Replaceable Units (CRUs)

The product will be delivered with an initial supply of Toner as well as the SMart Kits (the Drum Cartridges, Waste Toner Container, Transfer Belt Cleaner and Second Bias Transfer Roll). All CRU's are common to the WorkCentre 7830/7835/7845/7855.

Item	Reorder #	Units per Carton	Yield	Comments
Black Toner	6R01509	1 Cartridge	26K	WW metered
	6R01513	-		US/XCL/XE sold
	6R01517	-		DMO sold
Cyan Toner	6R01512	1 Cartridge	15K	WW metered
	6R01516	-		US/XCL/XE sold
	6R01520	-		DMO sold
Magenta Toner	6R01511	1 Cartridge	15K	WW metered
	6R01515	-		US/XCL/XE sold
	6R01519	-		DMO sold
Yellow Toner	6R01510	1 Cartridge	15K	WW metered
	6R01514	-		US/XCL/XE sold
	6R01518	-		DMO sold
Smart Kit Drum Cartridge	13R00662	1 Cartridge	125K	4 Supplied with Product
Transfer Belt Cleaner	1R00613	1 Assembly	160K	Supplied with Product
Second Bias Transfer Roll	8R13064	1 Assembly	200K	Supplied with Product
SMart Kit Waste Toner Container	8R13061	1 Cartridge	n/a	Supplied with Product
Staple Refills – Integrated Office Finisher	8R12941	3 Refills	5K each	
Staple Refills – Office Finisher	8R12941	3 Refills	5K each	

Item	Reorder #	Units per Carton	Yield	Comments
LX				
Staple Refills – Professional Finisher	8R12941	3 Refills	5K each	
Staple Refills – Convenience Stapler	8R12941	3 Refills	5K each	
Staple Cartridge – Integrated Office Finisher	8R12964	1 cartridge	5K each	1 Supplied with Option
Staple Cartridge – Office Finisher LX	8R12964	1 cartridge	5K each	1 Supplied with Option
Staple Cartridge – Professional Finisher	8R12964	1 cartridge	5K each	1 Supplied with Option
Staple Cartridge – Convenience Stapler	8R12964	1 cartridge	5K each	1 Supplied with Option
Staple Cartridge – Office Finisher LX Booklet Maker	8R12897	8 cartridges	2K each	2 Supplied with Option
Staple Cartridge – Professional Finisher – Booklet Maker	8R12925	1 cartridge	5K each	2 Supplied with Option

Assumptions: Toner cartridge yield is based on 5% area coverage. Average drum yield is based on a run length of (5) 8.5x11" / A4 LEF pages, with split of 30% color/ 70% B&W pages.

### First Copy Output (FCOT) & First Print Out (FPOT) Times

The first copy out times are measured scanning a 8.5x11/A4 document on platen. All times were measured with image quality setting at defaults, Reduction/Enlargement at 100%, selecting and feeding a 8.5x11 / A4 plain paper sheet from tray 1 in black or full color respectively and feeding to the bottom center tray without any Finisher installed. Priority mode set to color or black and white as appropriate.

Product	B&W FCOT As fast as:	Color FCOT As Fast as:	B&W FPOT As fast as:	Color FPOT As Fast as:
7830	6.7 sec.	8.4 sec	7.7 sec	9.0 sec
7835	6.8 sec	8.2 sec	7.7 sec	9.0 sec
7845	6.2 sec	7.5 sec	6.4 sec	7.5 sec
7855	5.5 sec	7.1 sec	5.9 sec	7.1 sec

- The first copy out time (FCOT) is measured from when the Start button is pressed to when the trail edge of the first copy is output to the specified destination.

- The first print out time (FPOT) is the duration from the Print Job request to the delivery into the output tray.

### Print Speed / System Performance

- The WorkCentre 7830/7835/7845/7855 is a document printer. The printer may cycle down between each page depending on job complexity.
- Overall system performance ('Click to Clunk' time) is primarily dependent upon the software applications and network environment being used. Rasterizing (RIP-ing) is only a small fraction of Click to Clunk time.
- Speeds shown in tables below are for feeds from Trays 1 – 4. Speed from Bypass Tray (5) will be slightly lower.

### Continuous Print Speed - WorkCentre 7830

Size	Weight	Simplex Color/Black Speed PPM	Duplex Color/Black Speed IPM
8.5x11/ A4 LEF	16lb – 28lb Bond (60gsm – 105gsm)	30/30	30/30
11x17/ A3 SEF	16lb – 28lb Bond (60gsm – 105gsm)	17/17	11/11
8.5 x 14 /B4 SEF	16lb – 28lb Bond (60gsm – 105gsm)	20/20	12/12
5.5 x 8.5 / A5 SEF	16lb – 28lb Bond (60gsm – 105gsm)	30/30	30/30
8.5x11/ A4 LEF	Transparency	15/25	NA
8.5x11/ A4 LEF	Lightweight Cardstock 28lb Bond – 90lb Index, (106gsm – 169gsm)	25/25	25/25
11x17/ A3 SEF	Lightweight Cardstock 28lb Bond – 90lb Index, (106gsm – 169gsm)	14/14	9/9
8.5 x 14 /B4 SEF	Lightweight Cardstock 28lb Bond – 90lb Index, (106gsm – 169gsm)	16/16	10/10
8.5x11/ A4 LEF	Gloss 80lb Text – 100lb Text (106gsm – 169gsm)	25/25	25/25
11x17/ A3 SEF	Gloss 80lb Text – 100lb Text (106gsm – 169gsm)	14/14	9/9
8.5 x 14 /B4 SEF	Gloss 80lb Text – 100lb Text (106gsm – 169gsm)	16/16	10/10
8.5x11/ A4 LEF	Cardstock 65lb Cover – 140 lb Index (170gsm – 256gsm) – and - Heavyweight Cardstock 140 lb Index – 110 lb Cover (257gsm – 300gsm)	15/15	15/15*
11x17/ A3 SEF	Cardstock 65lb Cover – 140 lb Index (170gsm – 256gsm) - and - Heavyweight Cardstock	8/8	5/5*

Size	Weight	Simplex Color/Black Speed PPM	Duplex Color/Black Speed IPM
	140 lb Index – 110 lb Cover (257gsm – 300gsm)		
8.5 x 14 /B4 SEF	Cardstock 65lb Cover – 140 lb Index (170gsm – 256gsm) - and - Heavyweight Cardstock 140 lb Index – 110 lb Cover (257gsm – 300gsm)	10/10	6/6*
8.5x11/ A4 LEF	Glossy Cardstock 65lb Cover – 140 lb Index (170gsm – 256gsm) – and - Heavy Glossy Cardstock 140 lb Index – 110lb Cover (257gsm – 300gsm)	15/15	15/15*
11x17/ A3 SEF	Glossy Cardstock 65lb Cover – 140 lb Index (170gsm – 256gsm) – and - Heavy Glossy Cardstock 140 lb Index – 110lb Cover (257gsm – 300gsm)	8/8	5/5*
8.5 x 14 /B4 SEF	Glossy Cardstock 65lb Cover – 140 lb Index (170gsm – 256gsm) – and - Heavy Glossy Cardstock 140 lb Index – 110lb Cover (257gsm – 300gsm)	10/10	6/6*

\* Auto Duplex capable up to 80 lb Cover / 220gsm max or 169 gsm coated paper

#### Continuous Print Speed - WorkCentre 7835

Size	Weight	Simplex Color/Black Speed PPM	Duplex Color/Black Speed IPM
8.5x11/ A4 LEF	16lb – 28lb Bond (60gsm – 105gsm)	35/35	35/35
11x17/ A3 SEF	16lb – 28lb Bond (60gsm – 105gsm)	20/20	13/13
8.5 x 14 /B4 SEF	16lb – 28lb Bond (60gsm – 105gsm)	23/23	14/14
5.5 x 8.5 /A5 SEF	16lb – 28lb Bond (60gsm – 105gsm)	35/35	35/35
8.5x11/ A4 LEF	Transparency	15/25	NA
8.5x11/ A4 LEF	Lightweight Cardstock 28lb Bond – 90lb Index, (106gsm – 169gsm)	25/25	25/25
11x17/ A3 SEF	Lightweight Cardstock 28lb Bond – 90lb Index, (106gsm – 169gsm)	14/14	9/9
8.5 x 14 /B4 SEF	Lightweight Cardstock 28lb Bond – 90lb Index, (106gsm – 169gsm)	16/16	10/10
8.5x11/ A4 LEF	Gloss 80lb Text – 100lb Text (106gsm – 169gsm)	25/25	25/25

2/11/2013

Size	Weight	Simplex Color/Black Speed PPM	Duplex Color/Black Speed IPM
11x17/ A3 SEF	Gloss 80lb Text – 100lb Text (106gsm – 169gsm)	14/14	9/9
8.5 x 14 /B4 SEF	Gloss 80lb Text – 100lb Text (106gsm – 169gsm)	16/16	10/10
8.5x11/ A4 LEF	Cardstock 65lb Cover – 140 lb Index (170gsm – 256gsm) - and - Heavyweight Cardstock 140 lb Index – 110 lb Cover (257gsm – 300gsm)	15/15	15/15*
11x17/ A3 SEF	Cardstock 65lb Cover – 140 lb Index (170gsm – 256gsm) - and - Heavyweight Cardstock 140 lb Index – 110 lb Cover (257gsm – 300gsm)	8/8	5/5*
8.5 x 14 /B4 SEF	Cardstock 65lb Cover – 140 lb Index (170gsm – 256gsm) - and - Heavyweight Cardstock 140 lb Index – 110 lb Cover (257gsm – 300gsm)	10/10	6/6*
8.5x11/ A4 LEF	Glossy Cardstock 65lb Cover – 140 lb Index (170gsm – 256gsm) – and - Heavy Glossy Cardstock 140 lb Index – 110lb Cover (257gsm – 300gsm)	15/15	15/15*
11x17/ A3 SEF	Glossy Cardstock 65lb Cover – 140 lb Index (170gsm – 256gsm) - and - Heavy Glossy Cardstock 140 lb Index – 110lb Cover (257gsm – 300gsm)	8/8	5/5*
8.5 x 14 /B4 SEF	Glossy Cardstock 65lb Cover – 140 lb Index (170gsm – 256gsm) - and - Heavy Glossy Cardstock 140 lb Index – 110lb Cover (257gsm – 300gsm)	10/10	6/6*

\* Auto Duplex capable up to 80 lb Cover / 220gsm or 169 gsm coated paper

#### Continuous Print Speed - WorkCentre 7845

Size	Weight	Simplex Color/Black Speed PPM	Duplex Color/Black Speed IPM
8.5x11/ A4 LEF	16lb – 28lb Bond (60gsm – 105gsm)	45/45	45/45
11x17/ A3 SEF	16lb – 28lb Bond (60gsm – 105gsm)	22/22	15/15
8.5 x 14 /B4 SEF	16lb – 28lb Bond (60gsm – 105gsm)	26/26	17/17
5.5 x 8.5 /A5 SEF	16lb – 28lb Bond (60gsm – 105gsm)	45/45	45/45
8.5x11/ A4 LEF	Transparency	22/22	NA

Page 4

Size	Weight	Simplex Color/Black Speed PPM	Duplex Color/Black Speed IPM
8.5x11/ A4 LEF	Lightweight Cardstock 28lb Bond – 90lb Index, (106gsm – 169gsm)	32/32	32/32
11x17/ A3 SEF	Lightweight Cardstock 28lb Bond – 90lb Index, (106gsm – 169gsm)	17/17	13/13
8.5 x 14 /B4 SEF	Lightweight Cardstock 28lb Bond – 90lb Index, (106gsm – 169gsm)	20/20	15/15
8.5x11/ A4 LEF	Gloss 80lb Text – 100lb Text (106gsm – 169gsm)	32/32	32/32
11x17/ A3 SEF	Gloss 80lb Text – 100lb Text (106gsm – 169gsm)	17/17	13/13
8.5 x 14 /B4 SEF	Gloss 80lb Text – 100lb Text (106gsm – 169gsm)	20/20	15/15
8.5x11/ A4 LEF	Cardstock 65lb Cover – 140 lb Index (170gsm – 256gsm) - and - Heavyweight Cardstock 140 lb Index – 110 lb Cover (257gsm – 300gsm)	22/22	22/22*
11x17/ A3 SEF	Cardstock 65lb Cover – 140 lb Index (170gsm – 256gsm) - and - Heavyweight Cardstock 140 lb Index – 110 lb Cover (257gsm – 300gsm)	13/13	9/9*
8.5 x 14 /B4 SEF	Cardstock 65lb Cover – 140 lb Index (170gsm – 256gsm) - and - Heavyweight Cardstock 140 lb Index – 110 lb Cover (257gsm – 300gsm)	15/15	10/10*
8.5x11/ A4 LEF	Glossy Cardstock 65lb Cover – 140 lb Index (170gsm – 256gsm) – and - Heavyweight Glossy Cardstock 140 lb Index – 110lb Cover (257gsm – 300gsm)	22/22	22/22*
11x17/ A3 SEF	Glossy Cardstock 65lb Cover – 140 lb Index (170gsm – 256gsm) - and - Heavyweight Glossy Cardstock 140 lb Index – 110lb Cover (257gsm – 300gsm)	13/13	9/9*
8.5 x 14 /B4 SEF	Glossy Cardstock 65lb Cover – 140 lb Index (170gsm – 256gsm) - and - Heavyweight Glossy Cardstock 140 lb Index – 110lb Cover (257gsm – 300gsm)	15/15	10/10*

\* Auto Duplex capable up to 80 lb Cover / 220gsm or 169 gsm coated paper

#### Continuous Print Speed - WorkCentre 7855

Size	Weight	Simplex Color/Black Speed PPM	Duplex Color/Black Speed IPM
8.5x11/ A4 LEF	Lightweight Cardstock 28lb Bond – 90lb Index, (106gsm – 169gsm)	32/32	32/32
11x17/ A3 SEF	Lightweight Cardstock 28lb Bond – 90lb Index, (106gsm – 169gsm)	17/17	13/13
8.5 x 14 /B4 SEF	Lightweight Cardstock 28lb Bond – 90lb Index, (106gsm – 169gsm)	20/20	15/15
8.5x11/ A4 LEF	Gloss 80lb Text – 100lb Text (106gsm – 169gsm)	32/32	32/32
11x17/ A3 SEF	Gloss 80lb Text – 100lb Text (106gsm – 169gsm)	17/17	13/13
8.5 x 14 /B4 SEF	Gloss 80lb Text – 100lb Text (106gsm – 169gsm)	20/20	15/15
8.5x11/ A4 LEF	Cardstock 65lb Cover – 140 lb Index (170gsm – 256gsm) - and - Heavyweight Cardstock 140 lb Index – 110 lb Cover (257gsm – 300gsm)	22/22	22/22*
11x17/ A3 SEF	Cardstock 65lb Cover – 140 lb Index (170gsm – 256gsm) - and - Heavyweight Cardstock 140 lb Index – 110 lb Cover (257gsm – 300gsm)	13/13	9/9*
8.5 x 14 /B4 SEF	Cardstock 65lb Cover – 140 lb Index (170gsm – 256gsm) - and - Heavyweight Cardstock 140 lb Index – 110 lb Cover (257gsm – 300gsm)	15/15	10/10*
8.5x11/ A4 LEF	Glossy Cardstock 65lb Cover – 140 lb Index (170gsm – 256gsm) – and - Heavyweight Glossy Cardstock 140 lb Index – 110lb Cover (257gsm – 300gsm)	22/22	22/22*
11x17/ A3 SEF	Glossy Cardstock 65lb Cover – 140 lb Index (170gsm – 256gsm) - and - Heavyweight Glossy Cardstock 140 lb Index – 110lb Cover (257gsm – 300gsm)	13/13	9/9*
8.5 x 14	Glossy Cardstock	15/15	10/10*

Size	Weight	Simplex Color/Black Speed PPM	Duplex Color/Black Speed IPM
8.5x11/ A4 LEF	16lb – 28lb Bond (60gsm – 105gsm)	50/55	50/55
11x17/ A3 SEF	16lb – 28lb Bond (60gsm – 105gsm)	25/27	18/19
8.5 x 14 /B4 SEF	16lb – 28lb Bond (60gsm – 105gsm)	29/32	19/21
5.5 x 8.5 /A5 SEF	16lb – 28lb Bond (60gsm – 105gsm)	50/55	50/55
8.5x11/ A4 LEF	Transparency	22/22	NA
8.5x11/ A4 LEF	Lightweight Cardstock 28lb Bond – 90lb Index, (106gsm – 169gsm)	32/32	32/32
11x17/ A3 SEF	Lightweight Cardstock 28lb Bond – 90lb Index, (106gsm – 169gsm)	17/17	13/13
8.5 x 14 /B4 SEF	Lightweight Cardstock 28lb Bond – 90lb Index, (106gsm – 169gsm)	20/20	15/15
8.5x11/ A4 LEF	Gloss 80lb Text – 100lb Text (106gsm – 169gsm)	32/32	32/32
11x17/ A3 SEF	Gloss 80lb Text – 100lb Text (106gsm – 169gsm)	17/17	13/13
8.5 x 14 /B4 SEF	Gloss 80lb Text – 100lb Text (106gsm – 169gsm)	20/20	15/15
8.5x11/ A4 LEF	Cardstock 65lb Cover – 140 lb Index (170gsm – 256gsm) - and - Heavyweight Cardstock 140 lb Index – 110 lb Cover (257gsm – 300gsm)	22/22	22/22*
11x17/ A3 SEF	Cardstock 65lb Cover – 140 lb Index (170gsm – 256gsm) - and - Heavyweight Cardstock 140 lb Index – 110 lb Cover (257gsm – 300gsm)	13/13	9/9*
8.5 x 14 /B4 SEF	Cardstock 65lb Cover – 140 lb Index (170gsm – 256gsm) - and - Heavyweight Cardstock 140 lb Index – 110 lb Cover (257gsm – 300gsm)	15/15	10/10*
8.5x11/ A4 LEF	Glossy Cardstock 65lb Cover – 140 lb Index (170gsm – 256gsm) – and - Heavyweight Glossy Cardstock 140 lb Index – 110lb Cover (257gsm – 300gsm)	22/22	22/22*
11x17/ A3 SEF	Glossy Cardstock 65lb Cover – 140 lb Index (170gsm – 256gsm) - and - Heavyweight Glossy Cardstock 140 lb Index – 110lb Cover (257gsm – 300gsm)	13/13	9/9*
8.5 x 14 /B4 SEF	Glossy Cardstock 65lb Cover – 140 lb Index (170gsm – 256gsm) - and - Heavyweight Glossy Cardstock 140 lb Index – 110lb Cover (257gsm – 300gsm)	15/15	10/10*
8.5x11/ A4 LEF	Glossy Cardstock 65lb Cover – 140 lb Index (170gsm – 256gsm) – and - Heavyweight Glossy Cardstock 140 lb Index – 110lb Cover (257gsm – 300gsm)	22/22	22/22*
11x17/ A3 SEF	Glossy Cardstock 65lb Cover – 140 lb Index (170gsm – 256gsm) - and - Heavyweight Glossy Cardstock 140 lb Index – 110lb Cover (257gsm – 300gsm)	13/13	9/9*
8.5 x 14	Glossy Cardstock	15/15	10/10*

Size	Weight	Simplex Color/Black Speed PPM	Duplex Color/Black Speed IPM
/B4 SEF	65lb Cover – 140 lb Index (170gsm – 256gsm) - and - Heavyweight Glossy Cardstock 140 lb Index – 110lb Cover (257gsm – 300gsm)		

\* Auto Duplex capable up to 80 lb Cover / 220gsm or 169 gsm coated paper

LEF = Long edge feed; SEF = Short edge feed

Note: Heavy and Glossy papers may result in increased image mottle. It is recommended that high quality papers available through Xerox, with even paper formation, be used to minimize the amount of mottle.

### Volume Range / Position / Performance

The WorkCentre 7800 series is designed to produce consistent uniform looking color and monochrome prints and copies. The WorkCentre 7800 series is expected to operate at up to:

7830	8,000 – 12,000 copies or prints per month
7835	10,000 – 15,000 copies or prints per month
7845	16,000 – 20,000 copies or prints per month
7855	18,000 – 22,000 copies or prints per month

- The number of copies or prints between service calls on a digital color copier / printer is highly dependent on customer expectations of quality and the use of applications and throughput materials.

- At an average usage of 10,000 copies or prints per month. It is expected that service will be required about once every 24 weeks. Volumes higher than this could result in more frequent service.

### Maximum Duty Cycle

The WorkCentre 7800 series has a maximum monthly duty cycle of:

7830 - 90,000	7835 - 110,000
7845 - 200,000	7855 - 300,000

Maximum copy/print volume supported under standard vendor supplied service for any single month. Customers should consider higher volume machines or multiple machines if average monthly volume approaches the maximum duty cycle on a continual basis.

### Maximum Image Sizes

The product will reproduce 11"x17" full color when printing on 12"x18" paper and A3 full bleed when printing on SRA3 paper. The maximum length images (476.6mm) are only produced on media 19" long. On all media there is a Lead Edge deletion of 4mm and a Trail Edge deletion of 2mm. The Side Edge deletion varies with paper size. For paper less than 12" wide the Side Edge deletion is 2mm per edge. For widths greater than 12" the

Side Edge deletion is determined by the paper width less the imageable area divided by 2.

Mode	Max. Image Area	Guaranteed Image Quality Area
Print	305mm x 476.6mm 12" x 18.76"	297mm x 476.6mm 11.69" x 18.76"
Copy	297mm x 432mm 11.69" x 17"	297mm x 432mm 11.69" x 17"

### Paper / Throughput / Capacity

	Tray #	Supported standard size	Supported custom size (mm)	Paper basis weight	Paper capacity*1
IOT	Tray 1	Min: A5 SEF, 8.5x5.5" SEF Max: A3 SEF, 11x17" SEF	Min: 5.5x7.5"/140 x 182mm Max: 11.7x17"/297 x 432mm	60 ~ 256gsm	520 shts
Three Tray Module*2	Tray 2	Min: A5 SEF, 8.5x5.5" SEF Max: SRA3 SEF, 12x18" SEF	Min: 5.5 x 7.5"/140 x 182mm Max: 12.6x18"/320 x 457mm	60 ~ 256gsm	520 shts
	Tray 3	Min: A5 SEF, 8.5x5.5" SEF Max: SRA3 SEF, 12x18" SEF	Min: 5.5 x 7.5"/140 x 182mm Max: 12.6x18"/320 x 457mm	60 ~ 256gsm	520 shts
	Tray 4	Min: A5 SEF, 8.5x5.5" SEF Max: SRA3 SEF, 12x18" SEF	Min: 5.5 x 7.5"/140 x 182mm Max: 12.6x18"/320 x 457mm	60 ~ 256gsm	520 shts
High Capacity Tandem Tray*2	Tray 2	Min: A5 SEF, 8.5x5.5" SEF Max: SRA3 SEF, 12x18" SEF	Min: 5.5 x 7.5"/140 x 182mm Max: 12.6x18"/320 x 457mm	60 ~ 256gsm	520 shts
	Tray 3	Min: 7.25x10.5" LEF Max: A4 LEF or Letter LEF	Custom sizes not supported	60 ~ 256gsm	867 shts
	Tray 4	Min: 7.25x10.5" LEF Max: A4 LEF or Letter LEF	Custom sizes not supported	60 ~ 256gsm	1133 shts
Bypass	Tray 5	Min: postcards, envelopes Max: SRA3 SEF, 12x19" SEF	Min: 3.5x3.9"/89 x 98mm*3 Max: 12.6x19"/320 x 483mm	55 ~ 300gsm*4	100 shts
High Capacity Feeder	Tray 6	Min: 7.25x10.5" LEF Max: A4 LEF, Letter LEF	Custom sizes not supported	55 ~ 256gsm*5	2000 shts
Envelope Tray	Replaces Tray 1	Monarch, Commercial #10, ISO-C5, DL	Min: 3.9x5.8" / 98 x 148mm*5 Max: 6.4 x 9.5" / 162 x 241mm	75 ~ 90gsm	Stack height: 43mm or approx. 60 envelopes

For more detailed information on throughput materials, please refer to the Xerox Materials Usage Guide and the Recommended Materials List.

1. When using Xerox 4200 Business 20lb or Xerox Business 80gsm (fresh paper).
2. There are two different paper tray configuration options. One must be selected at the time of order.
3. Plain paper with a feed length below 5.5in. (140mm) may jam more frequently, which may require replacement of the fuser unit. Therefore paper transport capability is not guaranteed to meet the spec for plain paper with a feed length below 5.5in. (140mm).
4. Select media between 257-300gsm are supported, please see Recommended Materials List for further details
5. Media weights heavier than 80lb Cover (216gsm) may experience more frequent misfeeds from the High Capacity Feeder
  - Recommended paper to maximize image quality and product reliability is Xerox Color Xpressions Select 24lb or Xerox Colour Impressions 90gsm (smooth bright white paper). This paper is specifically designed to maximize image quality and machine performance over a wide range of environmental conditions.
  - Using coated (e.g., gloss, matte coated or photo finished / proofing) and/ or Cardstock (i.e., >90lb Index / 164 gsm) stock may result in degraded reliability performance. Customers using these materials exclusively or extensively will see decreased performance as it relates to image quality and product reliability.
  - Attempts to feed heavier than recommended paper stocks, and/or misuse of the media settings, may cause machine damage or poor image quality. Using media at run modes other than that recommended for the grade may cause poor image quality and machine damage.
  - Envelope printing should not be used as a primary application
  - Envelopes without windows are supported through the bypass tray in sizes Monarch, DL, C5, and No 10 (other custom sizes are supported as well). Envelope feeding reliability is highly dependant on the envelope used and the area coverage of the image being affixed to the envelope.
  - The optional envelope tray replaces Tray 1. Customer is responsible for installing the envelope tray.
  - Specialty media may not provide optimum image quality at the extremes of the environmental ranges..

## Quality, Color Management & Print Resolution

- The appearance of the document displayed on the computer monitor screen may not match the output print due to the following reasons:
  - The range of colors that can be produced in print is different than the range of colors that can be displayed on a computer display.
  - Different display technologies have different reproductions of color
- Printed colors appear differently under different light sources.
- The customer is responsible for calibrating the WorkCentre using the provided copy and print calibration routines.
- The Postscript and PCL drivers contain the ability to adjust the print quality. Image adjustments include Color correction modes, ability to render images at either 600x600 (contone or binary) or 1200x1200 dpi (binary only). All images are marked at 2400 x 1200 dpi. ICC profiles can adjust how RGB and CMYK objects are reproduced. There are differences between the PS, XPS and PCL driver based on PDL image-path limitations.
- When the print drivers "Color" output mode is selected, grayscale images in MS Office applications may print using composite grays, which contain a visually neutral combination of C, M, Y and K.
- Pages are not guaranteed to print and bill as monochrome unless the "Black and White" output color mode is selected in the print driver.

## Image Registration

- WorkCentre 7830/7835/7845/7855 is designed to produce a uniform image. Image Quality is subjective and can be impacted by lighting, and is strongly influenced by paper (consult the Recommended Materials List).
- Printing registration specifications for 8.5 x 11" (A4) size media are ±1.5 mm (side 1), ±1.9 mm (side 2) along the lead edge and ±2.0mm (side 1), ±2.4mm (side 2) mm along the side edge from Trays 1-4. Lead Edge is ±2.2 mm and Side edge ±3.0 mm for bypass tray.
- Skew registration specification from side to side feeding for 8.5 x 11" (A4) size media from Tray 1-4 is ±3 mm on simplex side and ±4 mm on duplex side. Bypass tray skew is ±4 mm.

## Duplex Automatic Document Feeder

The Duplex Automatic Document Feeder (DADF) will handle originals from 5.5x8.5" (A5) to 11x17" (A3) in size, and from 16 to 32 lb Bond (50 to 128 gsm) in weight. The 7830 / 7835 DADF has a maximum capacity of 110 sheets. The 7845 / 7855 DADF has a maximum capacity of 130 sheets.

## Transparencies

The following premium transparencies are available for use: 3R3108 or 3R12505 (3R98205 for A4). Transparencies are supported out of all trays (Trays 1 – Tray 5, Bypass) if fed in the correct manner. These premium transparencies are specifically designed to provide optimum print quality.

Use of other transparencies may cause machine damage and result in excessive service calls.

## Duplex (2-sided) Copying / Printing

The WorkCentre 7830/7835/7845/7855 can automatically perform two-sided (duplex) copying or printing on media size up to 12x19" (SRA3) and non coated 220 gsm paper or coated 169gsm paper.

Manual duplex can be performed on media up to 110 lb Cover (300gsm) 12x19" (SRA3) from Tray 5 (Bypass).

Full duplex print productivity is achieved except when paper exits to the top center tray.

## Finishing Options – Three Choices:

### Integrated Office Finisher (Available only on 7830/7835)

- Output tray will stack up to 500 sheets of Letter(A4) 20lb (75gsm) paper
- Single staple up to;
  - 50 sheets: Letter, Executive, A4 or B5 size media 20 lb Bond (75gsm)
  - 30 sheets: 11x17", A3, Legal or B4 size media 20 lb Bond (75gsm)
- Max paper weight that can be stapled is 220gsm. Performance of stapling 50 sheets of paper exceeding 90gsm cannot be guaranteed.
- Max paper size that can be stapled is 11x17" (A3)
- **Offset between sets is available.**
  - **Staple mode: Offset is supported unless paper is longer than 297mm or Letter SEF is used.**
  - **Non-staple mode: Offset of sheets larger than 190 x 148mm is supported.**
- Center Tray is not available.

### Office Finisher LX

- Output tray will handle up to 2000 unstapled sheets of Letter(A4) 20lb (75gsm) LEF paper
- Multi-position stapling: Up to 50 sheets (24 lb Bond/90gsm) available to right center tray
- Max paper weight that can be stacked and stapled is 220gsm. 50-sheet stapling capability is not guaranteed for any papers other than centerline paper of 64-90gsm
- Max paper size that can be stapled is 11x17" (A3)
- Center Lower Tray is not available when Office Finisher LX is installed
- Optional Booklet Maker: Up to 15 sheets (60 page booklet) of media weighing 20 lb / 80 gsm or less
  - Creases and saddle stitch staple up to 11x17 (A3)
  - Creases up to 28lb (105 gsm)
- Optional 2/3 or 2/4 Hole Punch up to 65 lb cover (176gsm) available to right center tray
- Roller marks may be visible on output sheets when coated papers are output to the Stacker.

### Professional Finisher

- Finisher Top Tray will stack up to 500 sheets of 8.5x11" (A4) 20lb (75gsm) paper and can accommodate up to 12x18" (SRA3) size media.
- Finisher Main Tray will stack up to 1,500 sheets or 200 single stapled sets of 8.5x11" (A4) or 100 single stapled sets of 12x18" (SRA3) size media.
- Center Lower Tray is not available when the Professional Finisher is installed
- 2/3, 2/4 and Swedish 4 Hole Punch up 65 lb cover (176gsm) available to Finisher Top Tray and Finisher Main Tray
- 1, 2 or 4 position stapling of up to 50 sheets of 24 lb Bond (90gsm) is available to Finisher Main Tray
- V-fold of up to 5 sheets unstapled
- Booklet saddle stitching available with Short Edge Feed (SEF) paper sizes 8.5x11", 8.5x13", 8.5x14", 9x11", 11x15", 11x17", 12x18", A4, A3, SRA3. The Finisher Booklet Maker Tray can accommodate up to 20 sets of up to 15 sheets per set when stapled. Booklets can consist of 2 to 15 sheets of 24lb (90 gsm) or less.
- Finisher does not perform edge trimming



- Max paper weight that can be stapled is 80lb cover (220gsm). Performance of stapling 50 sheets of paper exceeding 24lb bond (90gsm) cannot be guaranteed
- Max paper size that can be stapled is 12x18" (SRA3)
- Max paper weight that can be stacked is 100lb cover (280gsm)

## USB Print

USB Media Print enables walk-up users to print "Print-Ready" files (PDF, XPS, TIFF, JPEG, TXT) files directly from most standard (FAT-32 formatted) USB Thumb Drives.

Files are sent directly from the USB drive to the print controller.

## Power On time

Power on time from cold-boot to the display of the main All services screen may take three minutes. Users will notice an additional 5-8 sec delay when they first access a service. Subsequent entries into that service (including after exiting power saver) will not incur any additional delay. This is designed to improve the availability of the first screen as the subsequent services are loaded when first accessed.

## Print Services and Network Connectivity

- The following operating systems are supported:
  - Windows Print Drivers (PostScript, PCL5, PCL6 and XPS\*)
    - Windows XP32-bit (SP3 and up)
    - Windows XP Professional 64-bit Edition
    - Windows XP 64-bit (SP3 and up)
    - Windows Vista , 32-bit and 64-bit
    - Windows 7, 32-bit and 64-bit
    - Windows 2003 32-bit
    - Terminal Server
    - Windows Server 2003 Cluster
    - Windows Server 2003 64-bit Edition
    - Windows Server 2008 32-bit (Standard, Enterprise, Data Center, 2008 R2)
    - Windows Server 2008 64-bit
  - Apple Mac (PostScript)
    - Mac OS X v10.5, v10.6, 10.7 and 10.8 – Meerkat Drivers shall be provided
  - Novell (PostScript, PCL5 and PCL6)
    - Netware 5.x: NDPS, NDS
    - Netware 6.x: NDPS, NDS, iPrint
    - Open Enterprise Server
  - Citrix (PostScript, PCL5 and PCL6)
    - Citrix Presentation Server 4.5
    - Citrix XenApp 5.0 and up
  - Unix (PostScript) (Palomino Drivers shall be provided)
 

Hardware	OS
SPARC	Solaris 9, 10
x86	Solaris 10
Itanium	HP-UX 11iv2
POWER5	AIX 5
x86 / x86_64	Red Hat Enterprise 4/5, Fedora Core 15-17, Ubuntu 11.04, 11.10, 12.04
x86 / x86_64	Open SUSE 11 (Novell), 12

## Print Around

The Print Around feature holds a job needing additional resources (such as a different paper size) and prints the next job in queue. This function allows the device to keep working, while making sure jobs are printed correctly.

## USB Wireless Network Adapter

Your Xerox Device can be equipped with a optional Xerox USB 802.11b/g/n (2.4GHz) Wireless Adapter to enable WiFi connectivity. When utilizing this Xerox Device over WiFi, it is important to understand the performance impacts that may result from WiFi technology. Compared to a wired Ethernet connection, WiFi performance varies significantly due to many factors that are specific to wireless technology.

Some of these factors include: WiFi LAN Overhead, Proximity to Access Point (AP) and Physical Obstacles (i.e. Signal Strength), Network usage / AP Loading and Radio Frequency (RF) interference.

For more information, refer to the Xerox USB Wireless Adapter – WiFi Performance Primer

## Scanning Specifications (standard)

The WorkCentre 7830/7835/7845/7855 supports scan to network folder, Scan to USB, Scan to Mailbox, Scan to Home and Scan to email functionality as standard.

Scanned Image Size	Resolution dpi
Letter (A4 / 8.5X11)	Max 600 dpi
Tabloid (A3 / 11X17)	Max 600 dpi
Compressed/OCR PDF	Max 600 dpi
<b>Scan default resolution</b>	<b>200dpi</b>

Note: Several resolution settings are selectable via User Interface touch panel. Lower resolutions will result in files that are smaller in size thereby reducing network traffic.

- When scanning the OCR processing, image compression, file formatting and file transfer operations all continue after the job has completed scanning by the scanner.
- Heavy print usage may delay the processing of scan jobs.

## Security

Xerox Smart Card, Kerberos, and FIPS140-3 support includes:

- CAC , PIV , .NET cards, S/MIME- encrypted email to self and others via LDAP or Address Book. Email signing.
- FIPS 140-2 encryption (SSL only)
- FIPS 140-2 encryption (Disk & IPsec) only for IPv4

McAfee® Built-in Embedded Security is the Standard offering on the WC7800 series that can detect and prevent unauthorized read-modify-write of files by unauthorized persons/systems. Built-in security prevents unauthorized reading, writing, adding of any of the systems protected files & directories. Any unauthorized attempt to modify these protected files are recorded to the audit log on the device and can be setup to send email alerts thru CWIS, Centware Web, Xerox Device Manager, or McAfee ePolicy Orchestrator.

Optional purchasable McAfee® Integrity Control provides the same protections as Embedded Security with some key additions.

Prevents new files from being EXECUTED from ANY location via untrusted means. By utilizing whitelisting technology from McAfee the multi-function device prevents a targeted attack from executing an unauthorized and possibly malicious program such as malware.

Prevents WRITING of protected executable files. Integrity Control prevents the malicious overwrite of operating system thru executables. File Inventory is hashed to prevent malicious changing of it.

Cisco TrustSec Identity Services Integration®

Automatically tracks new devices (via Profiler with Advanced license) connecting to the network

"Firewall" the printer to prevent general access to restricted printers

Automatically provision and grant printers appropriate network access to prevent impersonation & inappropriate access

Single inventory for printer management, access and location-aware printer management

**Xerox Standard Accounting (XSA)**

- User account limit is 2500
- General Accounts limit is 500
- Group accounts limit is 500

**Automatic Meter Read (AMR)**

- The 7800 series supports SMart eSolutions Meter Assistant, an automated meter read feature that automatically collects and submits meter reads.
- Network connected equipment comes ready to enable meters to be sent over the network to a Xerox Communication Server in order to provide accurate and timely meter reads for billing purposes. Additional detail specific to the Configuration and Use of the Meter Assistant Option is available at [www.xerox.com/smarteresolutions](http://www.xerox.com/smarteresolutions).

**Reference Material**

The WorkCentre 7830/7835/7845/7855 is shipped with customer documentation CD ROM.

**Customer Support**

The Xerox Customer Support Centers is available to provide general information, answer questions and take service calls. You can reach the Customer Support Center at the following toll-free phone number:

United States 1-800-821-2797

Canada 1-800-939-3769

**To order Replacement Customer Replaceable Units (CRUs):**

Full Service Maintenance customers order replacement CRUs through Xerox Customer Support Center using the toll free number above. Time and Materials Maintenance customer order replacement CRUs through the Logistics Customer Support Center at 1-800-828-5881.

**To order additional Supply (toner / staples) or Throughput materials:**

The Xerox Supplies Marketing Center, 1-800-822-2200 US, 1-800-668-0199 CAN (English), 1-800-668-0133 CAN (French) is available for ordering Xerox supplies, including paper and other throughput material.

US Customers on Metered Price Plans should call the Metered Hotline, U.S. 1-800-599-2198 to acquire additional toner.

**Customer Training**

If requested, customer training is available on a fee basis.

**Foreign Device Interface (FDI)**

- The FDI connector and internal wiring harness is optional on all WorkCentre® 7830/7835/7845/7855. 3<sup>rd</sup> party external hardware interface is still required.
- The FDI will control only printing & copying services.

**Copier Assistant**

Copier Assistant is available as a free download from [Xerox.com](http://Xerox.com)

**Responsibility Matrix**

Action	Customer	Xerox
Ensure adequate space and power to configure the WorkCentre 7830/7835/7845/7855	X	
Unpack system / components		X
Install system hardware (excluding EFI option and envelope Tray)		X
Install EFI option	X	
Install Envelope Tray	X	
Connect all System Components prior to powering up the system		X
Install EFI Desktop Accessories on Client	X	
Ensure network configuration	X	
Confirm network integrity	X	
Acquire and install client software including print drivers	X	
Configure Workflow Scanning	X	
Run initial software diagnostics when directed	X	
Monitor and adjust as required	X	
Load any additional fonts	X	
Procure BNC transceiver for network connection (if needed)	X	
Order and replace SMart Kits (Drum cartridges, Second Bias Transfer Roll, transfer belt cleaner, and Waste Toner Cartridge, etc.) as needed.	X	
Provide Help Line support		X
Provide spared parts		X
Provide service		X

**Primary customer WorkCentre 7830/7835/7845/7855 applications:**

---



---



---

Special considerations or performance limitations identified by Xerox and agreed to by the customer:

---

---

---

I have reviewed this document and understand the specifications listed:

---

Customer

---

Xerox Sales Representative

---

Xerox Customer Service Representative

### Optional EFI Controller

There is an optional EFI Controller for the WorkCentre 7800 series. Please review and sign Appendix A if you're having the optional EFI network server installed.

## Appendix A – Expectation Setting for WorkCentre 7800 Series with Fiery Network Controller Option

### Space Requirements / Service Space Envelope

The Fiery Network Controller stands beside or behind the print engine. The Fiery connects to the Print engine Ethernet port via 10ft. crossover cable.

The Fiery Network Controller was designed to be customer installable; however, it can be a billed Xerox install.

#### Physical specifications

Operating environment:

- Temperature: +10°C to +40°C
- Relative humidity: 10 % to 85 % (non-condensing)
- Power supply rating: 100-240V, 50-60Hz, 1.5-3.0A
- Power consumption: 56W (typical)
- Dimensions (Depth x Width x Height):
  - 13.25 x 7 x 12 (dimensions with support stand)
  - 13.25 x 3.6 x 11.69 (dimensions without support stand)
  - Weight: 5.58 kg (12.30 lbs.)

#### Space requirement

Recommend a minimum of 1 inch clearance for proper air flow to the fan.

#### Environmental Requirements

The Fiery Network Controller has a separate power cord which plugs into the customer's wall outlet.

Customer is responsible for supplying one network drop to enable the install.

#### Fiery Network Controller Options

Supported Purchasable Options

- EFI Spectrometer ES-1000
- Fiery Options Bundle
  - Includes: Fiery Spot On, Auto Trapping, Hot Folders/Virtual Printers
- Network Switch

#### Network Specifications

Protocol	Printing Services	Supported Frame Types
TCP / IP (IPv4 & IPv6) Bonjour	LPD / LPR Port 9100 SMB IPP Email (POP3/IMAP) NDPS SLP WSD	Ethernet

#### Fiery Network Controller Specifications

- 2.60 GHz Intel Pentium Processor E5300, dual core
- 1 GB RAM
- 160GB hard drive
- 10/100/1000 BaseT RJ45 Network connectivity
- 4 USB Ports for media printing
- Linux Operating System with Fiery System 10e

#### Printer Driver Support

Windows 2000/XP/2003/Vista/Windows 2008/ Windows 7/ Windows 8 (32/64)

- Post Script (Fiery Driver 4.4)
- Microsoft Certified Drivers (WHQL)

#### Mac (PowerPC/Intel)

- OS 10.3.9 or later
- No OS 9 support
- Fiery Driver 4.4

#### SAP

- Through a generic PostScript printer driver. The generic PostScript driver supports functionality for Page Sizes (Letter, Legal, A3, A5, and Executive), Duplex printing, and finishing options.
- No Print Driver Support for Unix

#### Standard Features

**Color** is a complete in-RIP color management system that is designed to output color that's consistent and predictable across platforms and applications.

**Network** architecture supports TCP/IPv4, TCP/IP v6, BOOTP, DHCP, DNS, WINS, NTP, SMB (Microsoft peer to peer), Bonjour, HTTP, LDAP, FTP, SNMP

**Native doc conversion** is the automatic conversion and printing of Microsoft Office native files (Word, PowerPoint, Excel).

**USB Media Print** This feature provides an easy way to connect USB mass storage devices to Fierys and print files from the mass storage device. Folders can also be created on the mass storage device for automatic printing

**BookletMaker 4** provides a wizard-based graphical user interface which guides the user through the process of defining a booklet through a step-by-step process for Windows clients.

**Direct Mobil Print** allows users to print directly from a mobile device to the Fiery Controller which resides on the same wireless network.

**PrintMe** allows users with a PrintMe subscription to print documents on any Fiery controller that has the PrintMe service (Cloud Printing).

**Fiery VUE** is an application for office users to visually see how the finished document will look like before printing.

#### Supported Protocols

- IPv4 only – Includes TCP, LPR, SMTP, HTTP, HTTPS, passive FTP

Note: IPv6 connectivity to the MFP will not be operational when EFI controller is connected.

#### Supported Xerox Solutions

- Xerox Secure Access Unified ID System
- Equitrac Office
- Equitrac Professional
- ScanFlow Store
- Xerox Scan to PC Desktop
- Xerox SMARTdocument Travel
- Xerox Mobile print

## Utilities

### Fiery Command WorkStation 5 (PC and Mac support)

- Color Management
- Queue Management on the Fiery server for operators
- Configure/Setup capability for administrators on the Fiery server for printing
- Job Center for managing jobs,
- Device Center for managing the Fiery server
- Calibrator
- Color Setup
- Fiery Spot On (Purchasable option)

### Operating System requirements are:

- MacOS 10.4.11 and later
- Windows XP, 2003, 2008, Vista, 7 and 8 (32-bit and 64-bit)

### WebTools (Import, Downloads, Configure)

For Java capable browser platforms only – supported browsers:

- Windows: IE v6.0 or later, Firefox v3.5
- Mac: Safari v5.0 and Firefox v3.5

## System Overview (How it Works)

Powerful Combination - EFI Printing with the Xerox Copy, Scan and Fax workflow

### EFI Print

- Fiery Driver 4.4 PostScript PC Print Drivers (Win 2000/XP/2003/Vista)
- Fiery Mac Driver 4.4

### Copy

- WorkCentre 7800 Series Copy Feature Set and behavior

### Faxing

- WorkCentre 7800 Series Feature Set and behavior

### Scan/E-Mail

- WorkCentre 7800 Series Scan and E-Mail feature set and behavior

### Mobile Print

- WorkCentre 7800 Series Mobile Print feature set and behavior

### WorkCentre PS or PCL Printing

- Configure the Xerox WorkCentre PC drivers to use the IP address assigned to the Fiery Network Controller and to use Port 9200 to bypass the Fiery RIP for direct printing to the WorkCentre Network Controller using Xerox Print driver

## Print Quality and Color Management

- Print Resolution is 600x600x1, 1200x1200x1 and 600x600x8 dpi
- Pantone Calibrated
- ICC v4 Profile support
- Rich Black & Print Grays using Black only

## Security Features

Secure Erase, IPSec, 802.1x, IPV 6, SNMPv3, MAC filtering, IP filtering/Port blocking, User Authentication, Certificate Management, SSL/TLS support

## Reference Material

A complete set of virtual customer documentation is provided with the Fiery Network Controller. User documentation in other languages is also available at the following link:

<http://services.efi.com/support/vfigs/9019710383/>

## Software Updates

Periodically, Xerox will make available bug fixes and other software releases. The EFI option solution must have an Internet connection in order to take advantage of automatic s/w updates and insure the solution is maintained with the latest software and fixes. All software releases and bug fixes are designed to be customer installable from the Internet and it will be the customer's responsibility to insure Internet access and perform the software upgrade activities.

## Responsibility Matrix

Action	Customer	Xerox
Install the WorkCentre		X
Unpack & install EFI Option / components	X	
Install the utilities, and printer drivers on client PCs.	X	
Ensure network configuration	X	
Confirm network integrity	X	

## Limitations

SMartSend is not supported with EFI Single IP

I have reviewed this document and understand the specifications listed:

---

Customer

---

Xerox Sales Representative

---

Xerox Customer Service Representative