

Xerox® Work Centre® 7970/7970i Color Multifunction Printer

Customer Expectation & Installation Guide

Xerox® WorkCentre® 7970/7970i
Xerox® EFI® Fiery Server (Optional)



Table of Contents

1. Product Overview.....	1
Introduction.....	1
Product Highlights.....	1
Product Configuration.....	1
Base Configuration.....	2
Options.....	2
Configuration Dependencies.....	2
2. Detailed Specifications	3
Product Specifications.....	3
System Specifications.....	3
Device Specifications.....	3
Operating Environment.....	4
Electrical Requirements.....	4
Feature Specifications.....	4
Accounting.....	8
Device Management.....	9
Controller/Print Server.....	9
System Productivity.....	10
Feeding Specifications.....	11
Finishing Specifications.....	12
Media and Substrate.....	14
3. Maintenance and Support.....	14
Customer/Operator Maintenance.....	14
Support Services.....	14
Call Procedure.....	14
Training.....	14
Product Sustainability.....	15
Supplies and Consumables*.....	15
Recommended Supplies.....	15
4. Installation.....	16
Roles and Responsibilities.....	16
Connectivity for Remote Services.....	17
Installation Planning.....	18
Main Components.....	18
Module Dimensions.....	18
Space Requirements / Service Space Envelope.....	18
Mobility Plate Information.....	19
Electrical Requirements.....	19
Audible Noise.....	19

Installation Considerations	19
Network Requirements	19
Fax Telephone Line Requirements (Optional)	19
Convenience Stapler (Optional)	19
Energy Star	19
5. Operational Considerations	20
Print / Image Quality Expectations	20
Network Connectivity Expectations	20
Scanning Expectations	20
Security Expectations	21
Non-standard Paper Sizes	21
Service Uptime	21
External Keyboard Expectations	21
Solutions	21
Operational Definitions	22
EFI Controller Option	24
Links	25
Customer Agreement	26

1. Product Overview

WorkCentre 7970/7970i multifunction printers are enabled by the Xerox® ConnectKey™ Controller. These simple-to-implement systems give you real, practical solutions that easily streamline how you communicate, process and share important information, simplify complex paper-driven tasks, and drive down costs while keeping your data secure.

Introduction

When at the workplace, the Xerox Workcentre 7970/7970i gives your office staff the luxury of controlling device functions from any workstation. Plus, mobile professionals can stay connected to the communications tools and productivity solutions offered by the WorkCentre 7970/7970i – for more flexibility regardless of location.

Product Highlights

Convenience

The WorkCentre 7970/7970i offers the freedom of uninhibited mobility wherever business is done.

Productivity

Xerox gives you the tools and technologies that make it possible to automate common office workflows and greatly simplify the ways in which companies share business-critical information.

Security

Xerox engineered the WorkCentre 7970/7970i with the most complete range of advanced features, technologies, and solutions from security-industry leaders that safeguard critical information from all potential points of vulnerability.

Image Quality and Cost Control

The WorkCentre 7970/7970i achieves high-impact color documents that impress– while providing solutions to minimizing costs.

Environment

At Xerox, sustainability has never been viewed as a cost of doing business, but as a way of doing business – developing products and solutions to serve our customers and reduce the impact on our planet.

Product Configuration



Dual Offset Catch Tray

- Offset stacking of up to 250 sheets x 2

Note: Convenience Stapler and Work Surface shown may be added to any WC7970.



C-Z Folder/ Business Ready Finisher

- Offset stacking of up to 3,000 sheets
- C-Z Folder (optional)
- Multi-position 50-sheet stapling.
- 2/3 or 2/4 hole standard
- Swedish hole punch option



HCF/ C-Z Folder/ Business Ready Finisher with Booklet Maker

- High Capacity Feeding
- C-Z Folder (optional)
- Offset stacking of up to 1500 sheets
- Multi-position 50-sheet stapling.
- 2/3 or 2/4 hole standard
- Swedish hole punch option
- Saddle stitch & booklets, from 2-16 sheets (64 imposed pages).

Base Configuration

Feeding	<ul style="list-style-type: none">• Duplex Automatic Documents Feeder (single pass scan): 130 sheets capacity• Bypass Tray: 100 sheets capacity• Four Trays : Total 3,040 sheets capacity
Output Trays	<ul style="list-style-type: none">• Dual Offset Catch Tray: 250 sheets capacity each• Left-side Face up Tray: 100 sheets capacity

Options

Feeder Options	<ul style="list-style-type: none">• High Capacity Feeder: 2,000 sheets capacity• Envelope Tray: replaces Tray 1, 60 envelopes capacity
Finisher Options	<ul style="list-style-type: none">• Business Ready Finisher: 50-sheet multi-position stapling, hole punch• Business Ready Booklet Maker Finisher: 50-sheet multi-position stapling, hole punch, V-fold and saddle-stitch booklet making• C/Z Folder available to both Business Ready Finisher configurations• Convenience Stapler and Work Surface
Kits	<ul style="list-style-type: none">• Smart Kits®<ul style="list-style-type: none">– Drum Cartridge (1 Cartridge per Color 013R00662)– Waste Toner Container (1 Cartridge 008R13061)

Configuration Dependencies

	<ul style="list-style-type: none">• C/Z Folder requires BR finisher or BR Booklet Maker Finisher
--	--

2. Detailed Specifications

Product Specifications

System Specifications

Print Speed and Monthly Volume	7970/7970i
Simplex Speed Color / B&W	Up to 70 / 70 ppm
Duplex Speed Color / B&W	Up to 70 / 70 ppm
Recommended Average Monthly Print Volume ¹	10,000 to 40,000 pages
Maximum Monthly Duty Cycle ²	Up to 300,000 pages

What exactly is Duty Cycle?

Duty Cycle is a print device's rated capacity to continuously perform work under normal conditions. It is usually expressed as the sustainable volume in letter- or A4-sized pages that can be printed per month.

Define the problem

When discussing a machine's capabilities, there is often a misconception about its Duty Cycle. Customers tend to think in terms of duty cycle, while Xerox thinks in terms of AMPV (Average Monthly Print Volume). Many print device vendors today do not define what these terms mean, how they are different, and how it affects a customer.

What are considered "normal conditions"?

Because Duty Cycle is based on how the printer performs under "normal conditions," you first must define what "normal conditions" are—and there are many factors that affect the execution of everyday print jobs. These include everything from the robustness of the machine and the types of applications being run to the physical environment in which the customer is printing. In addition, any true measure of what constitutes "normal" must account for those occasions when a job is running at less than maximum speed. And as we all know, there are other times that for any number of reasons, a job isn't running and the machine sits idle. It's a natural part of the printing business. So to calculate Duty Cycle, Xerox took into account these "normal conditions", as well as the anticipated shift usage per week, to consider all factors that a machine and its operators may encounter when running print jobs.

What is the difference between AMPV and Duty Cycle?

Duty Cycle takes into account the actual capabilities of a machine with varying circumstances, while Average Monthly Print Volume (AMPV) is the volume an average customer is expected to produce on a machine in a month. AMPV reflects a range of an entire machine population's monthly usage, while Duty Cycle displays the potential to grow while still utilizing the machine. This is important to keep in mind because although a customer's typical print volume may fall into the AMPV range, the company may grow beyond the usual volume and printing capability of the machine.

Technology

HiQ LED Toner

Connectivity

10/100/1000Base-T Ethernet, High-Speed USB 2.0 direct print, Optional (with Xerox® USB Wireless Adapter)

Device Specifications

Control Panel Language Support

US English, International English, International French, Italian, German, International Spanish, Dutch, Brazilian Portuguese, Swedish, Norwegian, Danish, Finnish, Turkish, Greek, Russian, Czech, Polish, Hungarian or Romanian, Catalan, Arabic

Certifications

- FCC Class A Compliant (US), ICES Class A Compliant (Canada)
- TUV Listed to "UL 60950-1, Second Edition"
- TUV Certified to "CSA 22.2 No.60950-1-07, Second Edition"
- CB Certified/CE Marked (IEC 60950-1, Second Edition)
- ENERGY STAR Version 2.0®
- EAC (Russia)
- NOM (Mexico)
- Ukraine
- Blue Angel (German)
- Eco Logo (Canada)
- EPEAT (United States)
- GS Mark (German)
- To view the latest list of certifications, go to www.xerox.com/OfficeCertifications

Accessory Options

- High Capacity Feeder (HCF)
- Envelope Tray (Replaces Tray 1)
- BR Finisher
- BR Booklet Maker Finisher
- C/Z Folder (Requires separate power cord)
- Swedish Hole Punch
- External Keyboard
- Convenience Stapler (includes Work Surface)
- Smart Card Enablement Kit
- Xerox Secure Access Unified ID System® (with USB Card Reader) with Follow-You Print™
- Walk up Fax (One- or Two-line options, includes LAN Fax)
- McAfee Integrity Control Enablement Kit
- XPS Print Option Kit
- EFI Fiery® Network Controller
- Xerox® Integrated RFID Card Reader
- Xerox® USB Wireless Adapter (Also enables Wi-Fi Direct with 7970i, and also available on the 7970 with the latest software)
- Xerox Mobile Link, Android Print Service (Optional with 7970i, and also available on the 7970 with the latest software)
- Inclusion of free "Inbox Apps", Print by Xerox, QR Code App, and App Gallery App with 7970i, and also available on the 7970 with the latest software. The "i" series products with preloaded MFP apps are service supported at [xerox.com](http://www.xerox.com) with on-line help through the link below.
<http://www.support.xerox.com/support/xerox-app-gallery/documentation/enus.html>

¹ The Average Monthly Print Volume is the expected regular monthly throughput.

² The Monthly Duty Cycle is the maximum volume capacity expected in any one month. This volume is supported under standard vendor

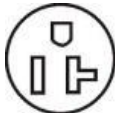
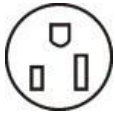
supplied service for any single month but is not expected to be sustained on a regular basis. Customers should consider higher volume machines or multiple machines if average monthly volume approaches the maximum duty cycle on a continual basis.

- Foreign Device Interface (FDI) (Optional)- Also known as Auxiliary Access Device, this is an interface to third party access control devices, such as coin machines and card readers.

Operating Environment

Operating Environment	7970/7970i
Required Temperature Range	50° to 82° F (10° to 28° C)
Required Relative Humidity	15% to 85% RH
Altitude (above sea level)	Max of 8,200 Feet (2,500 meters)
Sound Power Levels (Base config)	Operating: 7.6 LwAd (B) Standby: 3.5 LwAd (B)
Sound Pressure Levels (Base config)	Operating: 58 LpAd (dBA) Standby: 17 LpAd (dBA)

Electrical Requirements

Geographies: Western Hemisphere: North America		
Electrical	7970/7970i Engine	7970/7970i C/Z Folder
Voltage	Voltage : 110-127 VAC +/- 10% Frequency: 50/60 Hz +/- 3%, 20 A	Voltage : 110-127 VAC +/- 10% Frequency: 50/60 Hz +/- 3%, 15A
		
Receptacle	NEMA part #: 5-20R	NEMA part #: 5-15R
Power cord Length	8.5 Feet	8.5 Feet

Geographies: Eastern Hemisphere : Europe / Asia / South America / Africa		
Electrical	7970/7970i Engine	7970/7970i C/Z Folder
Voltage	Voltage : 220-240 VAC +/- 10% Frequency: 50/60 Hz +/- 3%, 10 A	Voltage : 220-240 VAC +/- 10% Frequency: 50/60 Hz +/- 3%, 10 A
Receptacle	Requires use of a 10 ampere outlet which is standard in most modern office buildings. Consult with local service to determine the country specific receptacle and confirm the existence of this outlet in the proposed installation space.	
Power cord Length	2.3 meters	2.3 meters

Electrical Requirements

Power Consumption	7970/7970i 110-127V	7970/7970i 220-240V
Running (Average)	1022 watts	1005 watts
Standby Mode	89 watts	116 watts
Low Power Mode	84 watts	94 watts
Warm up from Power off	As fast as 166 seconds	As fast as 166 seconds
Recovery from Low Power	4 seconds	4 seconds
Sleep Mode	3.0 watts	3.5 watts
	(Default time to Sleep mode = 2 min.)	(Default time to Sleep mode = 2 min.)

Feature Specifications

Print	7970/7970i
First Print Out Time ³ Color / B&W	As fast as 6.9 sec / 4.2 sec.
Resolution	Up to 1200 x 2400 dpi
Registration	Printing registration specifications for 8.5 x 11" (A4): <ul style="list-style-type: none"> Tray 1-4: ±1.5 mm (side 1), ±1.9 mm (side 2) along the lead edge and ±2.0mm (side 1), ±2.4mm (side 2) mm along the side edge Bypass Tray: Lead Edge is ±2.2 mm and Side edge ±3.0 mm Skew registration specification from side-to-side feeding for 8.5 x 11" (A4) <ul style="list-style-type: none"> Tray 1-4 is ±3 mm (side 1), ±4 mm (side 2) Bypass tray skew is ±4 mm.
Max Printable Area	The product will reproduce 11"x17" full bleed image when printing on 12"x18" paper and A3 full bleed when printing on SRA3 paper. The maximum length images (476.6mm) are only produced on media 19" long. On all media there is a Lead Edge deletion of 4mm and a Trail Edge deletion of 2mm. The Side Edge deletion varies with paper size. For paper less than 12" wide the Side Edge deletion is 2mm per edge. For widths greater than 12" the Side Edge deletion is determined by the paper width less the imageable area divided by 2. <p>Print:</p> <ul style="list-style-type: none"> Max. Image Area: 305mm x 476.6mm / 12" x 18.76" Guaranteed Image Quality Area : 297mm x 476.6mm /11.69" x 18.76" <p>Copy:</p> <ul style="list-style-type: none"> Max. Image Area: 297mm x 432mm / 11.69" x 17"

³ The first print and copy out times were measured with machine in ready condition, image quality setting at defaults, Reduction/Enlargement at 100%, uncollated, selecting and feeding a 8.5x11 LEF / A4 LEF plain paper sheet from tray 1 in black or full color respectively and feeding to the bottom center tray without any finisher installed. Priority mode set to color or black and white as appropriate. The first copy out time (FCOT) is measured from when the Start button is pressed to when the trail edge of the first copy is output to the specified destination.

The first print out time (FPOT) is the duration from the Print Job request to the delivery into the output tray. Overall system print performance ('Click to Clunk' time) is primarily dependent upon the software applications and network environment being used. Rasterizing (RIP-ing) is only a small fraction of Click to Clunk time.

Print	7970/7970i
	<ul style="list-style-type: none"> Guaranteed Image Quality Area : 297mm x 432mm/ 11.69" x 17"
Print Features	<p>Standard:</p> <p>Print from USB, Earth Smart Driver Settings, Job Identification, Booklet Creation, Store and Recall Driver Settings, Bi-directional Status, Scaling, Job Monitoring, Color By Words, Xerox® PrintBack</p>
Print Features	<ul style="list-style-type: none"> Application Defaults Banner Sheet Enable / Disable Bi-directional Status Custom Color Options (Color By Words) Cover Selection Delay Print (specific time) User Permissions Image Options (Toner Saver, Resolution (Standard, Enhanced, High)) Job Identification (Print ID or Banner, Print ID in margins on first page only or all pages) Layout / Watermark (N-up (up to 16 pages per sheet), Multi-up, Booklet layout / finishing, Fit to new paper size) Overlays Paper Selection by Attribute LAN Fax (requires optional Fax Kit) Sample Set Saved Job Secure Print with Timed Deletion Special Pages (exception page programming: covers, inserts, exception pages) Store and Recall Driver Settings Sustainability Features (Xerox® Earth Smart Settings, Duplex, N-up, Turn-off Banner and Print ID, Smart Sample Set, Hold All Jobs) <p>Optional:</p> <ul style="list-style-type: none"> Mobile Printing: Apple® AirPrint™, Xerox® Mobile Print®, Xerox® Mobile Print Cloud®
Print from USB	<ul style="list-style-type: none"> Allows walk-up printing from Type A USB port on front panel Supports direct printing from computer via Type B USB port Supported file formats: PDF, JPEG, TIFF, PS,XPS,PCL,TXT
Xerox® Mobile Express Driver® (X-MED)	<ul style="list-style-type: none"> Makes it easy for mobile users to find, use and manage Xerox® and non-Xerox devices in every new location. Plug into a new network, and X-MED automatically discovers available printers and provides status and capability information. Save a list of "favorite" printers for each location, store application print settings for use on any printer in any network, and greatly reduce mobile support calls to IT.
Xerox® Global Print Driver®	<p>A truly universal print driver that lets IT administrators install, upgrade and manage Xerox® and non-Xerox devices from a single driver. It provides a consistent, easy-to-use interface for end-users, reducing the number of support calls, and simplifying print services management.</p>
Xerox® Pull Print Driver	<p>Makes it easy for IT managers to qualify, deploy and manage all print devices using a single driver in a Pull Print environment. Uses a single queue and single driver. The Xerox® Pull Print Driver extends convenience across a broad range of printing assets. IT administrators no longer need to manage and configure multiple drivers. Used in</p>

Print	7970/7970i
	<p>conjunction with Xerox Secure Access Unified ID System®, Equitrac Office®, Ysoft® SafeQ®, Pharos® and others.</p>
Print Solutions	
Xerox® Mobile Print Cloud (Optional)	<p>Xerox® Mobile Print Cloud addresses the needs of businesses with a mobile workforce and puts you ahead of the evolving mobile print need, but without burdening staff, budget or infrastructure. Getting started takes only a few minutes via the cloud. Print from any mobile device to nearly any brand of printer. Accurate printing with true Microsoft® Office® rendering and more. Print what you need, when, where and how you need it.</p>
Xerox® Mobile Print Solution (Optional)	<p>Xerox® Mobile Print Solution is an ideal choice for sites that have additional requirements for control and security with an onsite server. Xerox® Mobile Print Solution allows users to print from most mobile devices to nearly any brand of printer or MFP without drivers or added complexity. Simply enter a release code (PIN) at the device and get accurate printing with true Microsoft Office rendering and more to use with your server for private, onsite deployment.</p>
Xerox® Print Service Plug-in for Android™ (Optional)	<p>The Xerox® Print Service Plug-in for Android KitKat (4.4 or greater) devices streamlines mobile printing without third-party apps or additional print drivers. You can easily print photos, Web pages and documents when your mobile device is connected to ConnectKey-enabled multifunction printers using a wireless network. A robust print option set includes two-sided printing, stapling and secure code release. A free download is available from the Google Play™ store.</p>
Xerox® Mobile Link App (Optional)	<p>The Xerox® Mobile Link App allows you to scan, fax and print from your phone or tablet by connecting with our multifunction printers and send data to and print data from cloud storage. It is easy to create Mobile Link One-Touch Workflows between a mobile device and a multifunction printer. Using a manual address or QR code identification for pairing, automatic device discovery makes it easy to find and pair a mobile device with a nearby Xerox® multifunction printer.</p>

Copy	7970/7970i
First Copy Out Time ³ Color / B&W	<p>As fast as 7.3 sec. As fast as 5.0 sec.</p>
Sides	Input-to-Output: 1-1, 1-2, 2-2, 2-1
Quantity	1 to 9,999
Resolution (max)	Up to 600 x 600 dpi
Reduce / Enlarge	Variable zoom from 25% to 400% in 1% increments

Copy	7970/7970i
Features	<p>Annotation and Bates™ stamping (with color capability and font size adjustment)</p> <p>Authentication for Services (i.e. Color Copy)</p> <p>Auto Paper Select</p> <p>Auto Reduction & Enlargement to fit selected paper size</p> <p>Auto Tray Switching</p> <p>Automatic 2-sided/Duplex</p> <p>Booklet Creation</p> <p>Build Job: (Enables page-level programming and also lets you proof each section or delete last section as the job is built)</p> <p>Collation</p> <p>Covers (Front only, front and back, back only, printed inside and out: Blank or Printed)</p> <p>Dividers (blank)</p> <p>Edge Erase</p> <p>Features Help (Intuitive text and graphic descriptions)</p> <p>ID Card Copy</p> <p>Image Quality Adjustments</p> <p>Image Shift (with Auto Center option)</p> <p>Invert Image (negative or mirror image)</p> <p>Large Job Interrupt</p> <p>Multi-up (up to 15 columns by 15 rows)</p> <p>Sample Set</p> <p>Save Job Settings</p> <p>Single Color</p> <p>Stapling</p> <p>Transparencies</p>
Features	<p>Xerox® Copier Assistant® (XCA) Software provides a PC-based alternative to the user interface touch screen. Used in conjunction with a customer-supplied PC attached via the USB port, this software supports text-to-speech, screen magnification and easy PC keyboard access to basic and advanced copy features. Section 508 compliant. For more information or to download Xerox® Copier Assistant for free, visit www.xerox.com</p>

Scan	7970/7970i
	<ul style="list-style-type: none"> Searchable PDF and PDF/A (MRC, JPEG, G3 MH, G4 MMR, JBIG 2 Huffman, JBIG Arithmetic Compression, Deflate (for Black-and-white and within MRC)) JPEG XPS Encrypted / Password Protected PDF (Network Scan Templates only) Adobe PDF version 1.7 PDF/A-1, PDF/A2, PDF A/3 PDF/X-1:2001, PDF/X-1a:2001, PDF/X-1a:2003, PDF/X-2, PDF/X-3:2002, PDF/X-3:2003, PDF/X-4, PDF/X-4p, PDF/X-5 PDF/X-5g, PDF/X-5pg, PDF/X-5n <p>PDF/A-1b is supported when scanning</p>
Document Management Fields (Meta Data)	<p>Features only available in Network Scan to File Templates:</p> <ul style="list-style-type: none"> 1 to 6 user programmable metadata fields per network scan to file templates and unlimited fields within the template <ul style="list-style-type: none"> Metadata field consists of field name, default value and other configurations Customized fields viewed on user interface for variable data input
Scan Features	<p>Destinations: Scan to Mailbox, Scan to USB, Scan to Email, Scan to Network; File Formats: PDF, PDF/A, XPS, JPEG, TIFF; Convenience Features: Scan to Home, Single Touch Scan, Searchable PDF, Single/Multi-Page PDF / XPS / TIFF, Encrypted / Password Protected PDF, Linearized PDF / PDF/A</p> <ul style="list-style-type: none"> Mixed Size Originals Scan Build Job Compression Quality/File Size Control Original Type (Photo and Text, Photo, Text, Map, Newspaper / Magazine) Auto Background and Shadow Suppression Size for Size (for mixed size originals) TWAIN Driver Bound Originals Edge Erase Reduction/Enlargement Single touch can buttons (up to 10) <p>Optional Software Packages: ConnectKey® for SharePoint®, ConnectKey® for DocuShare®, ConnectKey® Share to Cloud, Xerox® Scan to PC Desktop® Professional, other solutions available through various Xerox Alliance Partners</p>
Supported Scan Destinations	<p>Standard:</p> <ul style="list-style-type: none"> Scan to USB Drive Scan to Email Scan to PC / Server Client (SMB or FTP) Scan to Mailbox Scan to Secure FTP and HTTPS Scan to Home Scan to Application <p>Optional:</p> <ul style="list-style-type: none"> Xerox® Scan to PC Desktop® (Professional and SE) ScanFlowStore® Xerox® ConnectKey™ for SharePoint® Xerox® ConnectKey Share to Cloud

Scan	7970/7970i		
Concurrency	Scan while the system is printing, copying, or while it is transferring scan to network or fax jobs (priority is for return of scanned originals and printing concurrent jobs)		
Input Speed (Single Pass)	<table border="1"> <tr> <td>Scan at up to 133 ipm for color 8.5 x 11 in. / A4 LEF</td> <td>Scan at up to 133 ipm for black-and-white 8.5 x 11 in. / A4 LEF</td> </tr> </table>	Scan at up to 133 ipm for color 8.5 x 11 in. / A4 LEF	Scan at up to 133 ipm for black-and-white 8.5 x 11 in. / A4 LEF
Scan at up to 133 ipm for color 8.5 x 11 in. / A4 LEF	Scan at up to 133 ipm for black-and-white 8.5 x 11 in. / A4 LEF		
Resolution	<ul style="list-style-type: none"> 72 x 72 dpi to 600 x 600 dpi Bit Depth: 1-bit (black-and-white), 8-bit (grayscale), 24-bit (color) <p>Scan Default Resolution: 200 dpi</p>		
Max Scan Area	11 x 17 in. / A3		
Scan Template Management	<ul style="list-style-type: none"> Support 250 scan templates Create Xerox® CentreWare® IS scan templates and share via device cloning to other MFPs Confirmation sheet options 		
Network Print Services	SFTP, FTP, SMB, NetWare, HTTP, HTTPS		
File Formats	<ul style="list-style-type: none"> Color TIFF (TIFF 6.0 or TTN2 with JPEG, LZW) Black-and-white TIFF (G3MH, G4 MMR compression - single or multiple pages) 		

Scan	7970/7970i
	<ul style="list-style-type: none"> Various Xerox® Business Innovation Partner Solutions
Authentication	<ul style="list-style-type: none"> Supports Kerberos (UNIX / Windows Server) SMB (Windows Server) NDS LDAP Xerox Secure Access Unified ID System® Locally on device (internal database) Convenience Authentication via Magstripe, Proximity and Smart Card (CAC / PIV and .NET) readers
Scan to Email Features (Standard)	<p>Directory Access:</p> <ul style="list-style-type: none"> Address list via LDAP (Windows Archive Directory, Exchange, Notes, Domino) Downloaded address list (comma-separated file format) <ul style="list-style-type: none"> Email signatures (6 lines each of 128 character max), email message body (user configurable), email CWIS confirmation sheet options Scan to Email S/MIME Encryption Email Signing (requires Smart Card option) Auto send to self
Network Scanning – Software Solutions	
Xerox® Scan to PC Desktop® Professional (Optional)	<p>A desktop offering that provides advanced document imaging, archiving, editing and organization tools:</p> <ul style="list-style-type: none"> PaperPort Professional image viewing and file management software <ul style="list-style-type: none"> Complete PDF functionality Secure PDF workflow of all scanning applications OmniPage Pro Office (for desktop/client installation) – Professional OCR software for digital archiving and document conversion Image Retriever – provides fully automated retrieval of scanned images direct from a scan enabled Xerox® WorkCentre to individual desktops. Also includes email inbox polling capability
Xerox® ConnectKey™ for SharePoint® (Optional)	<ul style="list-style-type: none"> Xerox® ConnectKey for SharePoint simplifies and streamlines the way you scan, capture and store your paper-based documents. Using your Xerox® MFP, you can route documents directly into the precise document repository folder, just like you would from your PC. At the MFP, you can browse to the folder, name the document, and add any key indexing information before you scan. With the flexibility to capture and route to SharePoint as well as Windows folders, ConnectKey is the right solution for any office that needs to archive and share paper-based documents.
Xerox® ConnectKey Share to Cloud (Optional)	<ul style="list-style-type: none"> ConnectKey Share to Cloud provides organizations with powerful, easy and secure document scanning capabilities that connect your Xerox® MFP to popular cloud services and email, such as Google Docs™, Salesforce.com, Office 365 and Dropbox™ and gives employees anytime, anywhere access to their most important documents using mobile devices.

Fax	7970/7970i
Fax Features	<p>Standard:</p> <ul style="list-style-type: none"> Internet Fax, Fax Build Job, Network Server Fax Enablement (solutions available through various Xerox® Business Innovation Partners) <p>Optional:</p> <ul style="list-style-type: none"> Fax Forward to Email or SMB, Walk-up Fax (one-line and two-line options, includes LAN Fax)
Network Server Fax Features	
Compatibility	ITU (CCITT) group 3 Various Xerox® Business Innovation Partner Solutions
Max Scan Area	11 x 17 in. / A3
Send Features	<ul style="list-style-type: none"> One- or Two-sided Scanning (up to 11 x 17 in. / A3) Add to Send List (50 numbers maximum) Build Job, Speed Dial, Delay Send (specific time) Original Type (photo, text or photo and text)
Print Features	<ul style="list-style-type: none"> One- or Two-sided Printing Staple Secure Print
Transmission Resolution	<ul style="list-style-type: none"> Superfine: 400 x 200 dpi (Scan at 600 x 600 dpi) Fine: 200 x 200 dpi Standard: 200 x 100 dpi
Internet Fax Features	
Compatibility	<ul style="list-style-type: none"> Direct print-ready document transmission to remote Internet Fax machines or email clients (SMTP) Reception and automatic printout of documents sent via email from remote Internet Fax machines or email clients
Address Directory Access	<ul style="list-style-type: none"> Send: Multi-page TIFF, PDF, PDF/A Receive: TIFF, MTIFF, PDF, PDF/A, PS, text, PCL, PRN, JPEG
Resolution	<ul style="list-style-type: none"> 72 x 72 dpi to 600 x 600 dpi Bit Depth: 1-bit (black-and-white)
Network Protocols	SMTP (send), POP3 (receive)
Compliance	ITU-T T.37 compliant
Walk-up Fax Features (Optional (Customer-installable) – 1 and 2 lines)	
Compatibility	ITU (CCITT) group 3
Compression / Speed	MH/G3, MMR/SG3
Resolution	<ul style="list-style-type: none"> Walkup Send: Standard: 200 x 100 dpi Fine: 200 x 200 dpi Superfine: 600 x 600 dpi Receive: Accepts all sizes
Fax Send Features	<ul style="list-style-type: none"> LAN Fax (fax from print driver) Auto Fax Transmission Reduction Page-by-page Job Status at the Machine Delay Start, Build Job, Favorites Automatic Memory Resend Automatic Cover Sheets Pstn Fax Device Address Book (up to 1,000 contacts)
Fax Receive Features	<ul style="list-style-type: none"> One- or Two-sided Printing Stapled or Unstapled

Fax	7970/7970i
	<ul style="list-style-type: none"> Receive Print Mode – Manual (size, margin, stock, header) / Auto Output Tray Selection Up to 200 Password Protected Mailboxes Secure Receive Receive Timestamp Auto Answer Delay
Fax Forward	<ul style="list-style-type: none"> Forward to Email or SMB Location Fax Forward on Receive Only
Fax Reports	<ul style="list-style-type: none"> Activity, Dial Directory, Group Directory, Transmission Confirmation, Pending Fax, Options Report, On Demand Overwrite Report, Mailbox Report, Broadcast Report
Auto Dialing	<ul style="list-style-type: none"> Speed Dials: 5,000 total (one- or two-line options) Group Dials: Up to 200 groups with up to 400 recipients per group (one- or two-line options) Auto Redial: Up to 14 attempts (per country requirements) 1 to 25 minute intervals Batch send (up to memory capacity)

Security	7970/7970i
Security Features	<p>Standard:</p> <ul style="list-style-type: none"> McAfee® Embedded, McAfee ePolicy (ePO) Compatible, HDD Overwrite, 256-bit Encryption (FIPS 140-2 compliant), Common Criteria Certification (ISO 15408), Secure Print, Secure Fax, Secure Scan, Secure, Email, Cisco® TrustSec Identity, Services Engine (ISE) Integration, Network Authentication, SSL, SNMPv3, Audit Log, Access Controls, User Permissions <p>Optional:</p> <ul style="list-style-type: none"> McAfee Integrity Control, Xerox Secure Access Unified ID System® with Follow-You Printing®, Smart Card Enablement Kit (CAC/PIV/.NET) Expanded Authentication <ul style="list-style-type: none"> Network authentication to access device and/or device services via- Kerberos (UNIX / Windows Server 2003 / Windows Server 2008), SMB (Windows 2000 / Windows Server 2003 / Windows Server 2008), NDS, LDAP Xerox Secure Access Unified ID System® Local Authentication (internal database) Smart Card authentication -144k CAC / PIV Card Support (2048 bit certificate key) /.NET Secure Data <ul style="list-style-type: none"> Digitally signed PDF (when using Smart Card authentication) Encrypted Scan to Email Encrypted Password Protected PDF (when using Network Scan Templates only) Secure Print (up to 10 digit PIN or Network Authentication) Immediate Image Overwrite On Demand Image Overwrite (Scheduled, Manual), includes sanitation of unused area of disk FIPS 140-2 256 bit Hard Disk Encryption Expanded Authorization <ul style="list-style-type: none"> SA access based on network credentials

Security	7970/7970i
	<ul style="list-style-type: none"> Authorization per user per service User Permissions required to access Print and Print Features (e.g. color access, or time restrictions) reflects in the print driver Secure Network Access IP Filter, IPsec, IPv6, SSL, SNMPv3, HTTPs, 802.1X, Cisco® TrustSec integration (optional), Device Security McAfee® Embedded Security, Port disablement including USB ports, Audit Log, Hide Print Job Names, McAfee Integrity Control (optional) Common Criteria Certification ISO 15408
Secure Access Unified ID System® (Optional)	<ul style="list-style-type: none"> Xerox Secure Access Unified ID System® integrates your Xerox® multifunction systems with your existing employee/student ID PIN or badge providing a flexible and convenient authentication system. Allow your staff, employees or students to send documents to a centralized print server. Then, at any multifunction printer on the network, they'll simply log in with a swipe of their magnetic or proximity ID card or their PIN to securely print their job. For more information, go to www.office.xerox.com/software-solutions

Accounting

Features	7970/7970i
Xerox® Standard Accounting (Copy, Print, Scan, Fax, Email)	
Tracking	Copy, Print, Fax, Scan and Email usage
Accounting	<ul style="list-style-type: none"> Up to 2,497 User accounts (User ID) Up to 500 General accounts (Client) Up to 498 Group accounts (Department)
Features	<ul style="list-style-type: none"> Administrator can manage the feature via the Web User Interface or device control panel in tools Administrator has the ability to import or export user accounts, Group Accounts, General Accounts and User limits via an industry standard CSV file
Optional Features	
Optional Accounting Features	Equitrac Office®, Equitrac Professional®, YSoft® SafeQ®, other network accounting solutions available through various Xerox® Business Innovation Partners
Network Accounting – Third Party Enablement	<p>Enhanced network accounting with up to the minute data on how the system is being used</p> <ul style="list-style-type: none"> Comprehensive management and enterprise scale tracking and reporting of device usage of copy, print, scan and server fax Numerous solutions are available through Xerox® Alliance Partners. For details visit www.xerox.com Security enhancements with the addition of HTTPS protocol support WorkCentre requests account authentication from third party server enabling larger databases of users and accounts Accept Authentication Login at control panel and pass to third party Networking Account Interface with third party accounting terminal for accounting user interface

Device Management

Features	7970/7970i
Management Support	<ul style="list-style-type: none"> SNMP Version 1, SNMP Version 2c and SNMP Version 3 trap over TCP/IP and IP MIB access (IETF-MIBII RFC 1213), Host Resources MIB RFC 2790, Printer MIB RFC 1759 v.2
Xerox® CentreWare® Web	<p>A Web-based server application for network administrators that permits Web browser-based device management from any workstation, whether running Windows, UNIX or any other operating system:</p> <ul style="list-style-type: none"> Works with any SNMP-managed printer from any manufacturer. Provides help with device discovery and installation, health checks and troubleshooting, and device upgrades, as well as basic accounting and asset management. Requires Windows XP, Vista or Windows 7 and Internet Explorer 6.0 and higher. CentreWare Integration available for Tivoli® NetView®, Unicenter TNG®, Microsoft Management Console (MMC), HP® OpenView®
Novell NDPS/NEPS	Server gateway application: centralized management tool.
Xerox® Device Manager	<p>Xerox® Device Manager collects and manages the data that drives fact-based decisions for your enterprise device management environment. It is a single tool to install print queues and configure, manage, monitor and report on both networked and locally connected devices – regardless of vendor – across your enterprise. Xerox® Device Manager provides:</p> <ul style="list-style-type: none"> Device monitoring and troubleshooting Extensive reporting and discovery of new devices Usage collection, chargeback and billing capabilities
Xerox® Device Types for SAP Environment	<ul style="list-style-type: none"> Xerox, together with SAP through our Gold-level membership in the SAP Printer Vendor Program, provides seamless connectivity between SAP systems and your Xerox® printers and MFPs. And as an SAP customer you benefit from having SAP-certified Xerox® device types available right from SAP's online delivery model. SAP-certified device types for Xerox® printers and MFPs are available to download. www.office.xerox.com/software-solutions
Xerox® SAP R/3 Intelligent Barcode Utility (optional)	<ul style="list-style-type: none"> Provides built-in process intelligence that allows the printing of barcodes on any appropriately configured PostScript printer in specific versions of SAP environment and within Latin-1 (ISO8859-1) SAP system code pages only. Used in conjunction with Xerox® PostScript Device Types for SAP environment and Xerox® Font Center Barcode Fonts. Information available at www.office.xerox.com/software-solutions
Xerox® Barcode Pro PS (optional)	<ul style="list-style-type: none"> Enables intelligent PostScript printing on Xerox® multifunction systems by storing Xerox® software, as well as, the barcode fonts on the printer hard disk. Enables the printing of barcodes from any application (SAP client or mainframe) that supports

Features	7970/7970i
	<ul style="list-style-type: none"> PostScript printing. Information available at www.office.xerox.com/software-solutions
CentreWare Internet Services – Integrated Web Pages Provided by the Device	
Device Status	<p>Web server embedded in Network Controller:</p> <ul style="list-style-type: none"> Tray status/contents Consumables status Alerts
Job Submission	<ul style="list-style-type: none"> Print ready files: PS, PCL, TIFF, PDF, JPG, XPS (requires XPS Print Kit), TXT, PRNOutput feature selection (2-sided, output color, collate, orientation, staple, hole punch, folding, output destination) Delivery options (Immediate, sample set, delay and secure, Save job or reprint)
Administration	Allows simple, remote installation setting of configuration options and management of the device
Browsers	<ul style="list-style-type: none"> Internet Explorer 7.x, 8.x, 9.x Safari 5.x Mozilla Firefox 4.x, 5.x, 6.x, 7.x, 8.x, 9.x, 10.x, 11.x Opera 11.x Chrome 12
Support	Install print / scan drivers and online support available via web page
Languages Supported	International English, International French, Italian, German, International Spanish, Dutch, Brazilian Portuguese, Swedish, Norwegian, Danish, Finnish or Russian, Simplified Chinese, Korean, Japanese
Remote Services	
MeterAssistant®	<ul style="list-style-type: none"> Automates the process of collecting and submitting meter reads for tracking and billing of Xerox® device usage. Eliminates the need for time-consuming end-user involvement and ensures that meter reads are submitted to Xerox on time.
Supplies Assistant®	Automatically orders supplies for Xerox® output devices based on actual usage, eliminating the need to manually manage supplies inventory.
Maintenance Assistant®	Offers a fast (and free) way to resolve potential issues and receive assistance and automate the troubleshooting/repair process. Diagnostic data is sent to Xerox, allowing for problems to be solved faster with increased uptime.

Controller/Print Server

Controller	7970/7970i
Processor	1.2 GHz Dual-core
Memory	2 GB system plus 1 GB page memory
System Disk	Minimum of 250 GB
Display	
PDLs	<p>Page Description Languages:</p> <ul style="list-style-type: none"> Adobe® PostScript® 3™, PDF, PCL® 5c / PCL 6, XML Paper Specification (XPS®) (Optional)
Operating Systems	<ul style="list-style-type: none"> Microsoft® Windows® XP (32- and 64-bit) Windows Server 2003 (32- and 64-bit) Windows Server 2008 (32- and 64-bit) Windows Server 2012 and R2 Windows Vista SP (32- and 64-bit) Windows 7 (32- and 64-bit)

Controller	7970/7970i
	<ul style="list-style-type: none"> Windows 8 (32- and 64-bit) Windows 8.1 (32- and 64-bit) Mac OS 10.8, 10.9, 10.10 Linux Redhat® Fedora® Core 19 x86 openSUSE® 13.1 x64 Ubuntu® 13.10 x64
Features	<ul style="list-style-type: none"> Unified Address Book Remote Control Panel Online Support Configuration Cloning
Connectivity	Network Protocols: <ul style="list-style-type: none"> TCP/IP: HTTP/HTTPS, Internet Printing Protocol, LPR/LPD, Raw Socket Printing/Port 9100, IPv4/IPv6, WSD

Controller	7970/7970i
	<ul style="list-style-type: none"> NetWare: Bindery and NDS IPX/SPX, NDPS®/NEPS (with Server Gateway) AppleTalk®, EtherTalk® Microsoft Windows Networking over IP Bonjour® IPv6 Secure FTP Most protocols not in use can be disabled Administrative Protocols: <ul style="list-style-type: none"> DHCP, BOOTP, SNMP, WINS, SLP® v2, HTTP, HTTPS, DHCP Autonet, SSL, NTP, DNS, SSDP
Fonts	<ul style="list-style-type: none"> PCL: 93 scalable fonts, line printer and bitmap font PostScript 3: 173 Type 1 fonts, 2 Multiple Master fonts

System Productivity

The WorkCentre 7970/7970i is a document printer. The printer may cycle down between each page depending on job complexity. Overall system performance ('Click to Clunk' time) is primarily dependent upon the software applications and network environment being used. Rasterizing (RIP-ing) is only a small fraction of Click to Clunk time. The continuous print speeds shown in table below are for feeds from Trays 1 – 4. Speed from Bypass Tray (5) will be slightly lower.

Size	Weight	WorkCentre 7970/7970i Color/Black Speed	
		Simplex ppm	Duplex ipm
8.5x11/A4 LEF	16lb – 28lb Bond (60gsm – 105gsm)	70/70	70/70
11x17/A3 SEF	16lb – 28lb Bond (60gsm – 105gsm)	35/35	24/24
8.5 x 14 /B4 SEF	16lb – 28lb Bond (60gsm – 105gsm)	40/40	26/26
8.5x11/A4 LEF	Transparency	31/31	NA
8.5x11/A4 LEF	Lightweight Cardstock 28lb Bond – 90lb Index (106gsm – 169gsm)	40/40	40/40
11x17/A3 SEF	Lightweight Cardstock 28lb Bond – 90lb Index (106gsm – 169gsm)	24/24	17/17
8.5 x 14 /B4 SEF	Lightweight Cardstock 28lb Bond – 90lb Index (106gsm – 169gsm)	28/28	19/19
8.5x11/A4 LEF	Gloss 80lb Text – 100lb Text (106gsm – 169gsm)	40/40	40/40
11x17/A3 SEF	Gloss 80lb Text – 100lb Text (106gsm – 169gsm)	24/24	17/17
8.5 x 14 /B4 SEF	Gloss 80lb Text – 100lb Text (106gsm – 169gsm)	28/28	19/19
8.5x11/ A4 LEF	Cardstock 65lb Cover – 140 lb Index (170gsm – 256gsm) and Heavyweight Cardstock 140 lb Index – 110 lb Cover (257gsm – 300gsm)	31/31	31/31
11x17/ A3 SEF	Cardstock 65lb Cover – 140 lb Index (170gsm – 256gsm) and Heavyweight Cardstock 140 lb Index – 110 lb Cover (257gsm – 300gsm)	17/17	13/13
8.5 x 14 /B4 SEF	Cardstock 65lb Cover – 140 lb Index (170gsm – 256gsm) and Heavyweight Cardstock 140 lb Index – 110 lb Cover (257gsm – 300gsm)	20/20	15/15
8.5x11/A4 LEF	Glossy Cardstock 65lb Cover – 140 lb Index (170gsm – 256gsm) and Heavy Glossy Cardstock 140 lb Index – 110lb Cover (257gsm – 300gsm)	31/31	31/31
11x17/ A3 SEF	Glossy Cardstock	17/17	13/13

Size	Weight	WorkCentre 7970/7970i Color/Black Speed	
		Simplex ppm	Duplex ipm
	65lb Cover – 140 lb Index (170gsm – 256gsm) and Heavy Glossy Cardstock 140 lb Index – 110lb Cover (257gsm – 300gsm)		
8.5 x 14 /B4 SEF	Glossy Cardstock 65lb Cover – 140 lb Index (170gsm – 256gsm) and Heavy Glossy Cardstock 140 lb Index – 110lb Cover (257gsm – 300gsm)	20/20	15/15

* Auto Duplex capable up to 80 lb Cover / 220gsm max or 169 gsm coated paper
LEF = Long edge feed; SEF = Short edge feed

Note: Heavy and Glossy papers may result in increased image mottle. It is recommended that high quality papers available through Xerox, with even paper formation, be used to minimize the amount of mottle.

Productivity Note: When printing simplex 'pre-printed' media, the device productivity instead will be that of 'duplex'.

Feeding Specifications

Automatic Document Feeder

Duplex Automatic Document Feeder	
Capacity ⁴	130 sheets (Single-pass DADF)
Speed	<ul style="list-style-type: none"> up to 133 images per minute color up to 133 images per minute black-and-white
Paper Sizes Sensed	5.5 x 8.5 in. to 11 x 17 in. / A5 to A3
Weights	16 lb. bond to 32 lb. bond / 60 gsm to 128 gsm

Trays

Bypass Tray	
Capacity ^v	Tray 5: 100 sheets
Standard Sizes	Min: postcards, envelopes Max: SRA3 SEF, 12x19" SEF
Custom Sizes	Min: 3.5x3.9"/89 x 98mm ⁵ Max: 12.6x19"/320 x 483mm
Weights	16 lb. bond to 110 lb. cover / 60 to 300 gsm ⁶
Supported Media Types	<ul style="list-style-type: none"> Bond Card Stock Card Stock Reloaded Custom Envelopes Glossy Card Stock Glossy Card Stock Reloaded Heavyweight Card Stock Heavyweight Card Stock Reloaded Heavyweight Glossy Card Stock Heavyweight Glossy Card Stock Reloaded Hole punched Labels Letterhead Lightweight Lightweight Card Stock Lightweight Card Stock Reloaded Lightweight Glossy Card Stock Lightweight Glossy Card Stock Reloaded Plain Plain Reloaded Preprinted

	<ul style="list-style-type: none"> Recycled Transparencies Tabs are <u>not</u> supported on the Work Centre 7970/7970i
Trays 1 and 2	
Capacity ^v	Tray 1: 520 sheets Tray 2: 520 sheets
Sizes	Tray 1: Custom sizes: 5.5 x 7.5 in. to 11.7 x 17 in. / 140 x 182 mm to 297 x 432 mm short edge feed (SEF) Tray 2: Custom sizes: 5.5 x 7.5 in. to 12 x 18 in. / 140 x 182 mm to SRA3 (SEF)
Weights	16 lb. bond to 140 lb. index / 55 to 256 gsm
Supported Media Types	<ul style="list-style-type: none"> Bond Card Stock Card Stock Reloaded Custom Envelopes Glossy Card Stock Glossy Card Stock Reloaded Heavyweight Card Stock Heavyweight Card Stock Reloaded Heavyweight Glossy Card Stock Heavyweight Glossy Card Stock Reloaded Hole punched Labels Letterhead Lightweight Lightweight Card Stock Lightweight Card Stock Reloaded Lightweight Glossy Card Stock Lightweight Glossy Card Stock Reloaded Plain Plain Reloaded Preprinted Recycled Transparencies Tabs are <u>not</u> supported on the Work Centre 7970/7970i

⁴ When using Xerox 4200 Business 20lb or Xerox Business 80gsm (fresh paper).

⁵ Plain paper with a feed length below 5.5in. (140mm) may jam more frequently, which may require replacement of the fuser unit. Therefore paper transport

capability is not guaranteed to meet the spec for plain paper with a feed length below 5.5in. (140mm).

⁶ Select media between 257-300gsm are supported, please see Recommended Materials List for further details

High Capacity Tandem Tray (Total 2,000 sheets)	
Capacity ^v	Tray 3: 867 sheets Tray 4: 1,133 sheets
Standard Sizes	Tray 3: Letter LEF, A4 LEF, 7.25x10.5" LEF Tray 4: Letter LEF, A4 LEF, , 7.25x10.5" LEF
Custom Sizes	Tray 3: Custom sizes not supported Tray 4: Custom sizes not supported
Weights	16 lb. bond to 140 lb. index / 60 to 256 gsm
Supported Media Types	<ul style="list-style-type: none"> Bond Card Stock Custom Glossy Card Stock Hole punched Labels Letterhead Lightweight Card Stock Lightweight Glossy Card Stock Plain Preprinted Tabs are <u>not</u> supported
High Capacity Feeder (HCF) (Optional)	
Capacity ^v	Tray 6: 2000 sheets
Standard Sizes	Letter LEF, A4 LEF, 7.25x10.5" LEF
Custom Sizes	Custom sizes not supported
Weights	16 lb. bond to 140 lb. index / 60 to 256 gsm ⁷
Envelope Tray (Optional - Replaces Tray 1)	
Capacity ^v	Stack height: 43mm or approx. 60 envelopes
Standard Sizes	Monarch, Commercial #10, ISO-C5, DL
Custom Sizes	Min: 3.9x5.8" / 98 x 148mm Max: 6.4 x 9.5" / 162 x 241mm
Weights	20 lb. bond to 24 lb. bond / 75 to 90 gsm
Total Capacity	
Device Total Capacity	5,140 sheets

Finishing Specifications

Output Trays (Standard)	
Stacking Trays	<ul style="list-style-type: none"> Dual Offset Catch Tray – up to 250 sheets each Left-side Face up Tray – up to 100 sheets
BR Finisher (Optional) ⁸	
Capacity	<p>Top Tray:</p> <ul style="list-style-type: none"> 500 sheets of 8.5 x 11 in. / A4 unstapled Offsetting <p>Stacking Stapling Tray:</p> <ul style="list-style-type: none"> 3000 sheets of 8.5 x 11 in. / A4 LEF unstapled or 1500 sheets of 11 x 17 in. / 8.5 x 14 / A3 unstapled or 200 stapled sets of 8.5 x 11 in. / A4 or 100 stapled sets of 11 x 17 in. / A3 <p>Center bottom Tray is not available when the Finisher is installed.</p> <p>Max paper weight that can be stacked is 110lb cover (300gsm)</p>
Sizes	<ul style="list-style-type: none"> 7.25 x 10.5 in. to 12 x 19 in. / B5 to A3 for stacking 7.25 x 10.5 in. to 11 x 17 in. / B5 to A3 for stapling
Weights	<ul style="list-style-type: none"> 16 lb. bond to 110 lb. cover / 60 to 300 gsm

Stapling	<ul style="list-style-type: none"> Single and multi-position stapling Auto stapling (50 sheets maximum) – 24 lb/90 gsm Letter, Legal, Tabloid, A3, A4, B4 and B5 and Custom sizes from 7.25 x 10.5 in. to 11 x 17 in. / B5 to A3 sizes supported Max paper weight that can be stapled is 80lb cover (220gsm). Performance of stapling 50 sheets of paper exceeding 24lb bond (90gsm) cannot be guaranteed
Hole Punch standard North America: Europe:	<ul style="list-style-type: none"> 2-3 Hole Punch (North America) 2-4 Hole Punch (Europe) 4 Hole Swedish Punch (Optional) up 65 lb cover (200gsm) available to Finisher Top Tray and Finisher Main Tray
BR Booklet Maker Finisher (Optional) ⁸	
Capacity ^v	<p>Top Tray:</p> <ul style="list-style-type: none"> 500 sheets of 8.5 x 11 in. / A4 unstapled Offsetting <p>Stacking Stapling Tray:</p> <ul style="list-style-type: none"> 1500 sheets of 8.5 x 11 in. LEF / A4 LEF / 11 x 17 in. / 8.5 x 14 / A3 unstapled 200 stapled sets of 8.5 x 11 in. / A4 or 100 stapled sets of 11 x 17 in. / A3 Center bottom Tray is not available when the Finisher is installed. Max paper weight that can be stacked is 100lb cover (300gsm)
Sizes	<ul style="list-style-type: none"> 4 x 6 in. to 12 x 19 in. / B5 to A3 for stacking 7.25 x 10.5 in. to 11 x 17 in. / B5 to A3 for stapling
Weights	16 lb. bond to 110 lb. cover / 60 to 300 gsm
Stapling	<ul style="list-style-type: none"> Single and multi-position stapling Auto stapling (50 sheets maximum) – 24 lb/90 gsm Letter, Legal, Tabloid, A3, A4, B4 and B5 Sizes supported Max paper weight that can be stapled is 80lb cover (220gsm). Performance of stapling 50 sheets of paper exceeding 24lb bond (90gsm) cannot be guaranteed
Hole Punch standard North America: Europe:	<ul style="list-style-type: none"> 2-3 Hole Punch (North America) 2-4 Hole Punch (Europe) 4 Hole Swedish Punch (Optional) up 65 lb cover (200gsm) available to Finisher Top Tray and Finisher Main Tray
Booklet Maker	<ul style="list-style-type: none"> Saddle-stitch 2 to 16 sheets (15 sheets of 90 gsm or less plus 1 sheet of 169 gsm) Bi-fold up to 5 sheets Letter, Legal, Tabloid, A3, A4 supported Booklet saddle stitching available with Short Edge Feed (SEF) paper sizes 8.5x11", 8.5x13", 8.5x14", 9x11", 11x15", 11x17", 12x18", A4, A3. The Finisher Booklet Maker Tray can accommodate up to 20 sets of up to 15 sheets per set when stapled. Booklets can consist of 2 to 16 sheets of 24lb (90 gsm) or less.
C/Z Folder (Optional and Requires separate power cord)	
Specifications	<p>Folder option provide three different folds: C Fold, Z Fold and Z Half Fold</p> <ul style="list-style-type: none"> Folding limited to 16-24 #/60-90gsm media only

⁷Media weights heavier than 80lb Cover (216gsm) may experience more frequent misfeeds from the High Capacity Feeder

	<ul style="list-style-type: none"> • C Fold and Z Fold: <ul style="list-style-type: none"> - Letter/ A4 paper sizes only - Output destination to envelope tray only - Max envelope tray capacity- 40 sheets • Z Half fold: <ul style="list-style-type: none"> - Tabloid & A3 paper sizes only - Output destination to stacker tray or top tray
--	---

Convenience Stapler

Convenience Stapler (Optional - Includes Work Surface in North America)	
Capacity*	50-sheet stapling <ul style="list-style-type: none"> • 5,000 staples • Requires a separate outlet

Media and Substrate

For more detailed information on throughput materials, please refer to the Xerox Materials Usage Guide and the Recommended Materials List.

http://www.xerox.com/downloads/usa/en/supplies/rml/supplies_rml_workcentre-7800-series.pdf

- Recommended paper to maximize image quality and product reliability is Xerox Color Xpressions Select 24lb or Xerox Colotech Plus 90gsm (smooth bright white paper). This paper is specifically designed to maximize image quality and machine performance over a wide range of environmental conditions.
- Using coated (e.g., gloss, matte coated or photo finished / proofing) and/ or Cardstock (i.e., >90lb Index / 164 gsm) stock may result in degraded reliability performance. Customers using these materials exclusively or extensively will see decreased performance as it relates to image quality and product reliability.
- Attempts to feed heavier than recommended paper stocks, and/or misuse of the media settings, may cause machine damage or poor image quality. Using media at run modes other than that recommended for the grade may cause poor image quality and machine damage.
- Envelope printing should not be used as a primary application.
- Envelopes without windows are supported through the bypass tray in sizes Monarch, DL, C5, and No 10 (other custom sizes are supported as well). Envelope feeding reliability is highly dependent on the envelope used and the area coverage of the image being affixed to the envelope.
- The optional envelope tray replaces Tray 1. Customer is responsible for installing the envelope tray.
- Specialty media may not provide optimum image quality at the extremes of the environmental range.

Transparencies

- The following premium transparencies are available for use: 3R12505 (3R98205 for A4). Transparencies are supported out of all trays (Trays 1 – Tray 5, Bypass) if fed in the correct manner. These premium transparencies are specifically designed to provide optimum print quality.
- Use of other transparencies may cause machine damage and result in excessive service calls.

3. Maintenance and Support

This section helps define the support and services that Xerox will supply and what is expected of the customer.

Customer/Operator Maintenance

See Section 4

Support Services

Call Procedure

The Xerox Customer Support Centers are available to provide general information, answer questions and take service calls. You can reach the Customer Support Center at the following toll-free phone numbers:

Technical Support Contact Information		
Geography	Country	Phone Number
North America	US	1-800-821-2797 (Base Business)
	Canada	1 800 939 3769
	Mexico	01.800.00.Xerox (93769) Opción 2
South America	Argentina	0800-222-XEROX (0800-222-93769)
	Bolivia, Plurinational State of	0800-222-XEROX (0800-222-93769)
	Brazil	4004-4050 (capitais e regiões metropolitanas) 0800 979 3769 (demais localidades)
	Chile	800-200-600
	Colombia	+01 8000 410071 / (571) 489 0071
	Paraguay	0800-222-XEROX (0800-222-93769)
	Uruguay	0800-222-XEROX (0800-222-93769)
	Venezuela	+0800 7746837
	Western Europe	Austria
Belgium		32 2 713 14 52 352 48 01 23 (Luxembourg)
Denmark		70107288
Faroe Islands		00 298 344001
Finland		(09) 6937 9666
France		0 825 012 013
Germany		069 999915632
Greece		801 11 93769
Greenland		+299 36 35 34
Iceland		+354 440 9000
Ireland		1890 925 050
Italy		199 309 241
Luxembourg		32 2 713 14 52 352 48 01 23 (Luxembourg)
Monaco		0825 03 30 10
Netherlands		020 6563620
Norway		815 00 308
Portugal		707 200 578
Spain		902 200 169 opción 2
Sweden		0771-17 88 08
Switzerland		043 299 90 00
United Kingdom	0870 900 5501	

Training

Customer/Operator training is available upon request.

Product Sustainability

Packaging take-back service for Xerox branded products:

Whenever possible, we encourage you to recycle packaging locally as it reduces greenhouse gas emissions associated with transportation. However, if unable to recycle locally, we offer a packaging take-back and recycling service to our customers for Xerox branded products, where customers pay for the return shipping and Xerox pays for the recycling. If interested in this service, please send your packaging to: Xerox Corporation, ESSO – Scrap, 6500 State Route 63, Middletown, OH 45044 , ATTN: EPEAT Packaging Returns

Environmental Features

- The WorkCentre 7970/7970i delivers cutting-edge reductions in energy consumption.
- Conserve Energy with Green Technologies
- EA Toner: With ultra low-melt technology achieves minimum fusing temperature lower than conventional toner for even more energy savings and brilliant glossy output even on ordinary paper.
- Induction heating: The newly developed, heat-efficient IH fuser does not require preheating, which helps reduce power consumption in standby mode by 44% compared to a resistance heating device. Plus, the device recovers from sleep mode in less than 10 seconds.
- LED scanner: The power consumption of the scanner using LED lighting is 1/3 of traditional scanners using fluorescent lamps.
- Manage Resource Usage and Print Responsibly
- Energy Management. With Cisco® EnergyWise, enabled by Xerox® Power MIB (Management Information Base), you can control, manage and report your device's power consumption information, and set optimal power states and timeout intervals.
- Earth-smart printing. Innovative new Earth Smart feature allows you to choose the most environmentally sensitive options for your print jobs.

Supplies and Consumables*

Item	Reorder #	Units per Carton	Yield	Comments
Black Toner	6R01509	1 Cartridge	26K	WW metered
	6R01513	-		US/XCL/XE sold
	6R01517	-		DMO sold
Cyan Toner	6R01512	1 Cartridge	15K	WW metered
	6R01516	-		US/XCL/XE sold
	6R01520	-		DMO sold
Magenta Toner	6R01511	1 Cartridge	15K	WW metered
	6R01515	-		US/XCL/XE sold
	6R01519	-		DMO sold
Yellow Toner	6R01510	1 Cartridge	15K	WW metered
	6R01514	-		US/XCL/XE sold
	6R01518	-		DMO sold
Smart Kit Drum Cartridge	13R00662	1 Cartridge	125K	
Transfer Belt Cleaner	1R00613	1 Assembly	160K	
Second Bias Transfer Roll	8R13064	1 Assembly	200K	
SMart Kit Waste Toner Container	8R13061	1 Cartridge	n/a*	
Staple Refills – Business Ready Finisher/ Business Ready Booklet Maker Finisher	8R12941	3 Refills	5K each	
Staple Refills – Convenience Stapler	8R12941	3 Refills	5K each	
Staple Cartridge –Business Ready Finisher/ Business Ready Booklet Maker Finisher	8R12964	1 cartridge	5K each	1 Supplied with Option
Staple Cartridge – Convenience Stapler	8R12964	1 cartridge	5K each	1 Supplied with Option
Staple Cartridge –Business Ready Booklet Maker Finisher	8R13177	1 cartridge	5K each	2 Supplied with Option

*Assumptions:

Toner cartridge yield is based on 5% area coverage on A4/Letter LEF. toner yield can vary due to many factors including but not limited to: image area coverage, image content, media size, run mode, application types, monthly print volumes and Image quality setpoints.

Average drum yield is based on a run length of 5 pages of 8.5x11" / A4 LEF pages, with split of 30% color/ 70% B&W pages. *Waste Toner Container yield will vary depending on type of Image, area coverage % and Job run length.

Recommended Supplies

The supplies that should be stocked at the customer site in order to perform daily and periodic maintenance and to keep the device printing, will vary depending on monthly print volume, type of maintenance contract, and applications. Check with the local service and sales team for details.

4. Installation

Roles and Responsibilities

This section is key to clearly state Xerox and the customer roles and responsibilities and necessary actions.

Responsibility Matrix

Action	Customer	Xerox
Ensure adequate space and power to configure the WorkCentre 7970/7970i	X	
Unpack system / components		X
Install system hardware (excluding envelope Tray)		X
Install Envelope Tray	X	
Connect all System Components prior to powering up the system		X
Ensure network configuration	X	
Confirm network integrity	X	
Acquire and install client software including print drivers	X	
Configure Workflow Scanning	X	
Run initial software diagnostics when directed	X	
Monitor and adjust as required	X	
Load any additional fonts	X	
Procure BNC transceiver for network connection (if needed)	X	
Order and replace SMart Kits (Drum cartridges, Second Bias Transfer Roll, transfer belt cleaner, and Waste Toner Cartridge, etc.) as needed.	X	
Provide Help Line support		X
Provide spared parts		X
Provide service		X

Primary customer WorkCentre 7970/7970i applications:

Special considerations or performance limitations identified by Xerox and agreed to by the customer:

Connectivity for Remote Services

For Client Review of Expectations for Remote Services:	
1	To the extent necessary to fulfill Services, Customer grants Xerox, without charge, Remote Data Access. Remote Data Access shall be enabled by Customer prior to the commencement of Services via a method prescribed by Xerox and Customer shall cooperate and assist Xerox in providing Remote Data Access. Unless Xerox deems Devices incapable of Remote Data Access, Customer is responsible to ensure that Remote Data Access is maintained at all times Services are being performed, and Xerox will not be responsible for failures to meet service levels where Remote Data Access is not fully maintained by Customer.
2	Upon Xerox's request, Customer shall also provide key contact information, such as IT contact name and phone number for support of their Devices on the their network.
3	Most Xerox equipment is supported and serviced using data that is automatically collected and transferred to Xerox via electronic transmission from equipment through the Customer's network ("Remote Data"). This Remote Data is considered confidential information under the service agreement terms.
4	Remote Data transmitted from Customer may include device information such as registration, meter read, supply level, configuration and settings, software version, and problem/fault code data and may be used by Xerox for billing, report generation, supplies replenishment, support services, on-going and future site optimization opportunities and product improvement purposes.
5	Remote Data Access may also enable Xerox to make available to the customer maintenance releases or upgrades for software or firmware and to remotely diagnose and modify devices to repair and correct faults.
6	Remote Data will be transmitted to a secure off-site location in a secure manner specified by Xerox in accordance with Xerox published policies on information security [at http://www.xerox.com/information-security/enus.html] for your region.
Install Support	
7	<p>For Install Support that includes Xerox System Analysts: Customer shall contact and/or be contacted by their Xerox Systems Analyst.</p> <p>For Install Support that does not include Xerox System Analysts: Customer shall first utilize their Product System Administrator Guides available at Xerox.com, under the Support and Drivers link and by selecting documentation for their desired product. If unsuccessful, the Customer should go to Xerox.com and select "Technical Product Support" within the "Contacts" link to determine the appropriate contact for further support.</p>
Connectivity Information	
8	See Table Below

Setup Remote Services on Xerox device:

Use the following to begin the establishment of Remote Services for your new Xerox device. This is not to replace the product System Administrator Guide or Installation Guide but to identify certain install tasks that can be completed before and after the delivery of your device.	Who?		
	Customer	Professional Services/Partner	Customer Service Engineer
In order to take advantage of Xerox offerings, Device Direct and/or Xerox Device Agent (like XDA lite) software must be installed and devices connected and communicating to Xerox. These offerings may include Automatic Meter Reads, Automatic Supplies Replenishment and Remote Diagnostics Support for your device(s).			
The following needs to be completed <u>where applicable</u> :			
PRE-DELIVERY: Device Networking Tasks:			
1. Non-Production Devices: After signing agreement with Xerox, an email will be sent to you with a web link to download the appropriate software to install on a PC/server that is operational 24/7.	X		
2. Print Driver Software: Go to the "Support and Drivers" link on Xerox.com. If applicable, print drivers will be available to download and install on your client devices.	X		
3. Installation by Professional Services: To ensure Device Remote Connectivity can be established, network data will need to be collected by a Xerox Systems Analyst. A configuration form will be provided and require completion for each device documenting connectivity and network information. Each individual device will require a configuration form, unless all devices are to be configured in the same manner. In those cases, one configuration form along with a list of applicable serial numbers on a separate sheet is acceptable.		X	
4. IT Policy Compliance: You (customer) are responsible for obtaining approval for any internal IT policy compliance required for the Xerox device/software to communicate via your intranet / internet to Xerox.	X		
POST-DELIVERY/INSTALL: Device Networking Tasks:			
5. Ethernet Cable: You (customer) need to provide an Ethernet cable for the device to the network drop. Cable Connection can be completed by customer or installer depending on requirements.	X	X	X
6. Sustaining Connectivity: Remote Connectivity must be maintained to take advantage of Xerox offerings. Offerings include Remote diagnostics, supplies replenishment, and meter reads from appropriate products.	X		

<p>7. Device Direct (DD) Communications: Each device will need to be communicating to Xerox through the internet via the Xerox Device Direct method for Remote Diagnostics support. Follow the steps below (customer) to find how to setup Device Direct, if required.</p> <p>Setting up Device Direct:</p> <p>A) Go to the "Support and Drivers" link on Xerox.com.</p> <ul style="list-style-type: none"> - Search for your product, then click on the Support link for that product. - In the search field, enter "Enroll SMart eSolutions" and follow the instructions provided. <p>B) If the search does not return any instructions:</p> <ul style="list-style-type: none"> - Click on the Documentation link for your product. - Open the System Administrators Guide and refer to the section of the guide which provides information regarding Smart eSolutions Setup and follow the steps provided. 	X	X	X
---	---	---	---

Installation Planning

Main Components

The WorkCentre 7970/7970i is delivered with Print Engine, Scanner and Embedded Network Controller

Module Dimensions

Dimensions and Weight				
Configuration	Width	Depth	Height	Weight
Base Configuration	25.2 in. / 640mm	27.5 in. / 699 mm	45.2 in. / 1,149.2 mm	334.2 Lbs / 151.9 Kgs
Base configuration + BR Finisher	51.3 in. / 1302 mm	27.5 in. / 699 mm	45.2 in. / 1,149.2 mm	430.4 Lbs / 195.6 Kgs
Base configuration + BR Booklet finisher	56.4 in. / 1,431.4 mm	27.5 in. / 699 mm	45.2 in. / 1,149.2 mm	467.1 Lbs / 212.3 Kgs
Base configuration + BR Booklet finisher + C/Z folder	65.5 in. / 1664.2 mm	28.6 in. / 726 mm	45.2 in. / 1,149.2 mm	581.7 Lbs / 264.4 Kgs
Base configuration + BR Booklet finisher + C/Z folder + High Capacity Feeder	77.9 in. / 1978.2 mm	28.6 in. / 726 mm	45.2 in. / 1,149.2mm	654.5 Lbs / 297.5 Kgs

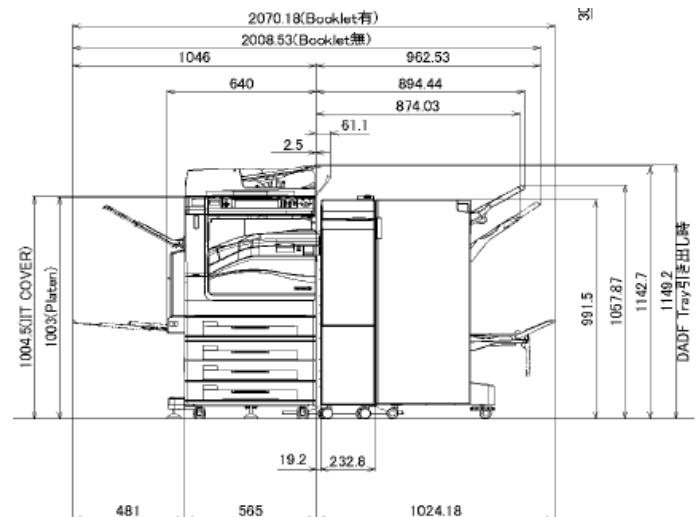
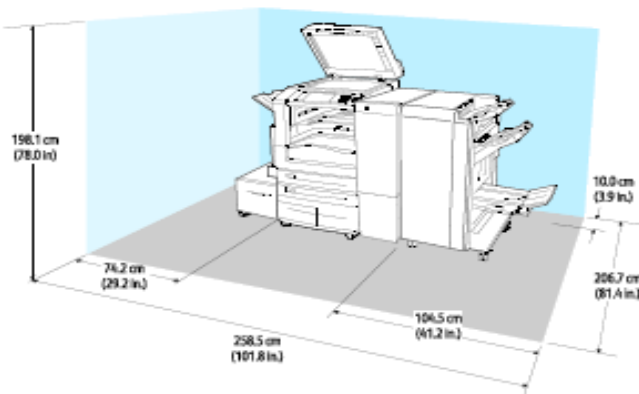
Space Requirements / Service Space Envelope

The dimensions shown below provide the overall service space required, including the space to the nearest obstruction. The dimensions reflect both typical and hallway installations and are absolute minimums.

Product Space Requirements				
Configuration	Width	Depth	Height	Installation Space
Base Configuration	43.6 in / 1,107 mm	27.5 in / 699 mm	60.8 in / 1,546 mm	63.5" x 81.4" 1613 mm x 2067 mm
Base Config + BR Finisher	69.9 in / 1,776 mm	27.5 in / 699 mm	60.8 in / 1,546 mm	90.2" x 81.4" 2220 mm x 2067 mm
Base Config + BR Booklet finisher	72.3 in / 1,837 mm	27.5 in / 699 mm	60.8 in / 1,546 mm	92.6" x 81.4" 2352 mm x 2067 mm
Base Config+ BR Booklet finisher + C/Z folder	81.5 in / 2070.2 mm	28.6 in / 726 mm	60.8 in / 1,546 mm	101.8" x 81.4" 2586 mm x 2067 mm
Base Config + BR Booklet finisher + C/Z folder + High Capacity Feeder	81.5 in / 2070.2 mm	28.6 in / 726 mm	60.8 in / 1,546 mm	101.8" x 81.4" 2586 mm x 2067 mm

Space Requirements / Service Space Envelope

Clearance Requirements for Configuration with Business Ready Finisher, Booklet Maker, CZ Folder, and High-Capacity Feeder



Mobility Plate Information

Carpeted flooring surfaces may require the installation of a mobility plate on the IOT and Finishers to allow the product to be moved during normal maintenance activities.

Electrical Requirements

***Please refer to detailed specifications section on page 4**

Ground Fault Protection is provided which meets Xerox internal safety requirements and exceeds the Industry Standards for Information Technology Equipment.

Audible Noise

7970/7970i Base Engine	
Sound Power Levels Engine	Operating: 7.6 LwAd (B) Standby: 3.5 LwAd (B)
Sound Pressure Levels	Operating: 58 LpAd (dBA) Standby: 17 LpAd (dBA)

Audible Noise

7970/7970i Full System (Finisher/Folder/HCF)	
Sound Power Levels	Operating: 7.82 LwAd (B) Standby: 4.45 LwAd (B)
Sound Pressure Levels	Operating: 65.7 LpAd (dBA) Standby: 26.7 LpAd (dBA)

Installation Considerations

- There should be a minimum of 78 inches (1,981 mm) clearance from the floor to the nearest overhead obstruction.

- The Base Configuration unit weighs about 334.2 lbs(151.9 Kg)
- Electrical requirements and space requirements must be satisfied before the equipment is delivered.
- One network drop is required for installation.

Network Requirements

- The customer is responsible for connecting and configuring the equipment on their network.
- One network drop is required for installation.

Fax Telephone Line Requirements (Optional)

If the fax option is installed, the following telephone line requirements are applicable:

Telephone wall jack should be within 7' of the middle left side of the back of the unit.

1. Telephone Service Supported:
 - Sole-use, non-switchboard (direct dial)
 - RJ11 – 6 position, 4 pin modular jack
 - Single analog line.
2. For two line fax, a second telephone line meeting the requirements identified in items 1 and 2 above is required.
3. Fax over VOIP is not supported

Convenience Stapler (Optional)

Requires separate outlet from one required for device. Refer to the above product electrical requirements for outlet type and requirements. The same electrical line as the device may be used; if no other devices are present on the line.

Energy Star

Energy Star is a government-backed program helping businesses and individuals protect the environment through superior energy efficiency. The WorkCentre 7970/7970i is Energy Star certified. The WorkCentre automatically switches to a Low Power mode after an idle period. After an additional idle period, the machine switches to sleep mode, saving additional power. The customer can adjust the "Time to Low Power mode" and the "Time to Sleep Mode" as described in the documentation.

5. Operational Considerations

Print / Image Quality Expectations

Duplex (2-sided) Copying / Printing

- The WorkCentre 7970/7970i can automatically perform two-sided (duplex) copying or printing on media size up to 12x19" (SRA3) and non coated 220 gsm paper or coated 169gsm paper.
- Manual duplex can be performed on media up to 110 lb Cover (300gsm) 12x19" (SRA3) from Tray 5 (Bypass).
- Full duplex print productivity is achieved except when paper exits to the top center tray.

Image-to-Paper Registration

- Printing registration specifications for 8.5 x 11" (A4) size media are ±1.5 mm (side 1), ±1.9 mm (side 2) along the lead edge and ±2.0mm (side 1), ±2.4mm (side 2) mm along the side edge from Trays 1-4. Lead Edge is ±2.2 mm and Side edge ±3.0 mm for bypass tray.
- Skew registration specification from side to side feeding for 8.5 x 11" (A4) size media from Tray 1-4 is ±3 mm on simplex side and ±4 mm on duplex side. Bypass tray skew is ±4 mm.

USB Print

- USB Media Print enables walk-up users to print "Print-Ready" files PDF, JPEG, TIFF, PS, XPS (requires XPS Print Kit), PCL files, directly from most standard (FAT-32 formatted) USB Thumb Drives.
- Files are sent directly from the USB drive to the print controller.

Power On time

- Power on time from cold-boot to the display of the main All services screen may take three minutes. This is designed to improve the availability of the first screen as the subsequent services are loaded when first accessed.

Print Around

- The Print Around feature holds a job needing additional resources (such as a different paper size) and prints the next job in queue. This function allows the device to keep working, while making sure jobs are printed correctly.

Apple AirPrint

- AirPrint-enabled ConnectKey devices work with iPad (all models), iPhone (3GS or later), and iPod touch (3rd generation or later), running the latest version of iOS. For printing from a Mac, the device must be running Mac OS X 10.7 or later to support AirPrint. The device submitting the AirPrint job must be on the same subnet as the printer. To allow devices to print from different subnets, configure your network to pass multicast DNS traffic across subnets.

Image Quality

- The WorkCentre 7970/7970i is designed to produce consistent uniform looking color and monochrome prints and copies in the product's specified Average Monthly Print Volume range.
- The WorkCentre 7970/7970i is designed to produce a uniform image. Image Quality is subjective and can be impacted by lighting, and is strongly influenced by paper (consult the Recommended Materials List).

Color Management and Print Resolution

- The appearance of the document displayed on the computer monitor screen may not match the output print due to the following reasons:
 - The range of colors that can be produced in print is different than the range of colors that can be displayed on a computer display.
 - Different display technologies have different reproductions of color
- Printed colors appear differently under different light sources.
- The customer is responsible for calibrating the WorkCentre using the provided copy and print calibration routines.
- The Postscript and PCL drivers contain the ability to adjust the print quality. Image adjustments include Color correction modes, ability to render images at either 600x600 (contone or binary) or 1200x1200 dpi (binary only). All images are marked at 2400 x 1200 dpi. ICC profiles can adjust how RGB and CMYK

objects are reproduced. There are differences between the PS, XPS and PCL driver based on PDL image-path limitations.

- When the print drivers "Color" output mode is selected, grayscale images in MS Office applications may print using composite grays, which contain a visually neutral combination of C, M, Y and K.
- Pages are not guaranteed to print and bill as monochrome unless the "Black and White" output color mode is selected in the print driver.

Quality, Color Management & Print Resolution

- The appearance of the document displayed on the computer monitor screen may not match the output print due to the following reasons:
 - The range of colors that can be produced in print is different than the range of colors that can be displayed on a computer display.
 - Different display technologies have different reproductions of color
- Printed colors appear differently under different light sources.
- The customer is responsible for calibrating the WorkCentre using the provided copy and print calibration routines.
- The Postscript and PCL drivers contain the ability to adjust the print quality. Image adjustments include Color correction modes, ability to render images at either 600x600 (contone or binary) or 1200x1200 dpi (binary only). All images are marked at 2400 x 1200 dpi. ICC profiles can adjust how RGB and CMYK objects are reproduced. There are differences between the PS, XPS and PCL driver based on PDL image-path limitations.
- When the print drivers "Color" output mode is selected, grayscale images in MS Office applications may print using composite grays, which contain a visually neutral combination of C, M, Y and K.
- Pages are not guaranteed to print and bill as monochrome unless the "Black and White" output color mode is selected in the print driver.

Network Connectivity Expectations

USB Wireless Network Adapter

- Your Xerox Device can be equipped with an optional Xerox USB 802.11b/g/n (2.4GHz) Wireless Adapter to enable WiFi connectivity. When utilizing this Xerox Device over WiFi, it is important to understand the performance impacts that may result from WiFi technology. Compared to a wired Ethernet connection, WiFi performance varies significantly due to many factors that are specific to wireless technology.
- Some of these factors include: WiFi LAN Overhead, Proximity to Access Point (AP) and Physical Obstacles (i.e. Signal Strength), Network usage / AP Loading and Radio Frequency (RF) interference.
- For more information, refer to the Xerox USB Wireless Adapter – WiFi Performance Primer

Scanning Expectations

- The WorkCentre 7970/7970i supports scan to network folder, Scan to USB, Scan to Mailbox, Scan to Home and Scan to email functionality as standard.

Scan Resolution

- The maximum image scan resolution is 600 dpi. The default scan resolution is set to 200dpi.
- Note: Several resolution settings are selectable via the 8.5 inch User Interface touch panel. Lower resolutions will result in files that are smaller in size thereby reducing network traffic.
 - When scanning the OCR processing, image compression, file formatting and file transfer operations all continue after the job has completed scanning by the scanner.
 - Heavy print usage may delay the processing of scan jobs.

Security Expectations

Xerox Smart Card, Kerberos, and FIPS140-3 support includes:

- CAC , PIV, .NET cards, S/MIME- encrypted email to self and others via LDAP or Address Book. Email signing.
- FIPS 140-2 encryption (SSL only)
- FIPS 140-2 encryption (Disk & IPsec) only for IPv4

McAfee Embedded Control

- McAfee® Built-in Enhanced Security is the Standard offering on the WorkCentre 7970/7970i that can detect and prevent unauthorized read-modify-write of files by unauthorized persons/systems. Built-in security prevents unauthorized reading, writing, adding of any of the systems protected files & directories. Any unauthorized attempt to modify these protected files are recorded to the audit log on the device and can be setup to send email alerts thru CWIS, Centreware Web, Xerox Device Manager, or McAfee ePolicy Orchestrator.
- Optional purchasable McAfee® Integrity Control provides the same protections as Embedded Security with some key additions.
 - Prevents new files from being EXECUTED from ANY location via untrusted means. By utilizing whitelisting technology from McAfee the multi-function device prevents a targeted attack from executing an unauthorized and possibly malicious program such as malware.
 - Prevents WRITING of protected executable files. Integrity Control prevents the malicious overwrite of operating system thru executables. File Inventory is hashed to prevent malicious changing of it.

Cisco TrustSec Identity Services Integration®

- Automatically tracks new devices (via Profiler with Advanced license) connecting to the network
- "Firewall" the printer to prevent general access to restricted printers
- Automatically provision and grant printers appropriate network access to prevent impersonation & inappropriate access
- Single inventory for printer management, access and location-aware printer management

Non-standard Paper Sizes

- Plain paper with a feed length below 5.5in. (140mm) may jam more frequently, which may require replacement of the fuser unit. Therefore paper transport capability is not guaranteed to meet the spec for plain paper with a feed length below 5.5in. (140mm).
- Select media between 257-300gsm are supported, please see Recommended Materials List for further details
- Media weights heavier than 80lb Cover (216gsm) may experience more frequent misfeeds from the High Capacity Feeder
 - Recommended paper to maximize image quality and product reliability is Xerox Color Xpressions Select 24lb or Xerox Colour

Impressions 90gsm (smooth bright white paper). This paper is specifically designed to maximize image quality and machine performance over a wide range of environmental conditions.

- Using coated (e.g., gloss, matte coated or photo finished / proofing) and/ or Cardstock (i.e., >90lb Index / 164 gsm) stock may result in degraded reliability performance. Customers using these materials exclusively or extensively will see decreased performance as it relates to image quality and product reliability.
- Attempts to feed heavier than recommended paper stocks, and/or misuse of the media settings, may cause machine damage or poor image quality. Using media at run modes other than that recommended for the grade may cause poor image quality and machine damage.
- Envelope printing should not be used as a primary application
- Envelopes without windows are supported through the bypass tray in sizes Monarch, DL, C5, and No 10 (other custom sizes are supported as well). Envelope feeding reliability is highly dependant on the envelope used and the area coverage of the image being affixed to the envelope.
- The optional envelope tray replaces Tray 1. Customer is responsible for installing the envelope tray.
- Specialty media may not provide optimum image quality at the extremes of the environmental ranges.

Service Uptime

- The number of copies or prints between service calls on a digital color copier / printer is highly dependent on customer expectations of quality and the use of applications and throughput materials.
- At an average usage of 10,000 copies or prints per month. It is expected that service will be required about once every 24 weeks. Volumes higher than this could result in more frequent service.

External Keyboard Expectations

- The external keyboard is not functional with Xerox or partner solutions, including solutions such as Scan to PC Desktop and ConnectKey Apps.
- Function keys (e.g. F1-F12) (outside of its use for Control Panel Button shortcuts) (not supported)
- Page up, Page Down Print Screen, Scroll Lock, Ctrl, Alt, and Pause keys or other PC/MacOS specific keys are not supported
- No support for key repeat
- No mouse support
- No support for Wi-Fi Direct Keyboards
- No support for USB Wireless keyboards

Solutions

- Full list of supported solutions can be found at www.office.xerox.com/software-solutions

Operational Definitions	
1-Sided	Printing on only one side of the substrate
2-Sided	Printing on both sides of the substrate
AMPV	Average Monthly Print Volume - reflects a range of an entire machine population's monthly usage, while Duty Cycle displays the potential to grow while still utilizing the machine.
Daily Maintenance	Maintenance that the customer operator must complete daily to maintain quality printing
Delta E	The measurement of color variation, there are multiple
DPI	Dots Per Inch or physical resolution of the printing device
Duplex	Printing on both sides of the substrate
Duty Cycle	A print device's rated capacity to continuously perform work under normal conditions. It is usually expressed as the sustainable volume in letter- or A4-sized pages that can be printed per month.
GSM	Grams per Square meter – Paper density (also known as basis weight and grammage)
Image Registration	The alignment of the individual CMYK image to each other on the printed piece
Lbs.	Pounds - US paper sizes is pounds of a ream of 500 (or in some cases 1000) sheets of a given (raw, still uncut) basis size – heavier stocks have a higher lb
Maximum Paper Size	Largest substrate that can be physically run through the device
Maximum Print Area	Largest area that can be printed on a substrate
Media/Substrate	The material that can be imaged through a device (e.g. uncoated, coated, cover stock, transparency, etc.)
Multi-Function Printer/Copier	A device that can be A4 or A3 with capabilities of scan, fax, email, and can be integrated with multiple solutions
Operator Maintenance	Maintenance tasks the customer is responsible to complete
Paper Registration	The placement/alignment of the image on the sheet and sheet to sheet
Periodic Maintenance	Maintenance that occurs based on print volume
Press	Relates to production devices (graphic communications) concerned with high production and high image/color quality requirements
Preventative Maintenance	Any actions that are taken to prevent downtime and maintains quality printing
Print Quality	The characteristic of printed material evaluated in terms of color, register, clarity, and the degree to which it resembles the original image.
Print Speed	The rated speed that a device can print
Printer	A smaller device (usually A4) that relates to the office side of the business
Simplex	Printing on only one side of the substrate
Uptime	The time that the device is available for printing
Virus Security	Protection for multifunction printers similar to how you protect PCs from viruses and malware, and control access to end points on your network – making your multifunction printer a fully secured network citizen.

Network Switch

When the Fiery Network Controller is connected, it allows only one network drop with only one IP address (single IP) for the complete system (WorkCentre Series/7970/7970i + Fiery Controller). Certain EIP applications (Xerox Solutions applications or 3rd Party Applications, etc) are supported when in a single IP configuration. The Network Switch can be added to allow the customer to still have one network drop with a two IP address configuration to support other EIP applications (Xerox Solutions applications or 3rd Party Applications, etc). This allows the EIP application direct access to the WorkCentre Series/7970/7970i.

Reference Material

A complete set of virtual customer documentation is provided with the Fiery Network Controller. User documentation in other languages is also available at the following link:

<http://services.efi.com/support/vfigs/9019710383/>

Software Updates

Periodically, Xerox will make available bug fixes and other software releases. The EFI option solution must have an Internet connection in order to take advantage of automatic s/w updates and insure the solution is maintained with the latest software and fixes. All software releases and bug fixes are designed to be customer installable from the Internet and it will be the customer's responsibility to insure Internet access and perform the software upgrade activities.

Responsibility Matrix

Action	Customer	Xerox
Install the WorkCentre		X
Install the utilities, and printer drivers on client PCs.	X	
Ensure network configuration	X	
Confirm network integrity	X	

EFI Controller Option:

(Requires the latest 7970 software along with EFI software version 2.0 or higher)

Space Requirements / Service Space Envelope

The Fiery Network Controller stands beside or behind the print engine. The Fiery connects to the Print engine Ethernet port via 10ft. crossover cable.

The Fiery Network Controller was designed to be customer installable; however, it can be a billed Xerox install.

Physical specifications

Operating environment:

- Temperature: +10°C to +40°C

Relative humidity: 10% to 85% (non-condensing)

Power supply rating: 180W

Power consumption: (Typical) 100W, 1 AMP, (Maximum) 220 W, 2 AMP

Dimensions (Depth x Width x Height):

- 27.15 cm (10.69 in.) x 17.78 cm (7 in.) x 30.48 cm (12 in.) (dimensions with support stand)
- 27.15 cm (10.69 in.) x 8.90 cm (3.52 in.) x 29.70 cm (11.69 in.) (dimensions without support stand)
- Weight: 5.58 kg (12.30 lbs.)

Space requirement

Recommend a minimum of 1 inch clearance for proper air flow to the fan.

Environmental Requirements

The Fiery Network Controller has a separate power cord which plugs into the customer's wall outlet.

Customer is responsible for supplying one network drop to enable the install.

Fiery Network Controller Options

Supported Purchasable Options

- Fiery Options Bundle
 - Includes: Fiery Spot On, Auto Trapping, Hot Folders/Virtual Printers
- Network Switch

Network Specifications

Protocol	Printing Services	Supported Frame Types
TCP / IP (IPv4 & IPv6) Bonjour	LPD / LPR Port 9100 SMB IPP Email (POP3/IMAP) SLP WSD	Ethernet

Note: IPv6 connectivity to the MFP will not be operational when EFI controller is connected.

Fiery Network Controller Specifications

- Intel Pentium G850 Processor 2.9 GHz
- 1 GB RAM
- 500 GB hard drive
- 10/100/1000 BaseT RJ45 Network connectivity
- 4 USB Ports for media printing
- Linux Operating System with Fiery System 150

Printer Driver Support

Windows Vista/ Windows Server 2008/ Windows Server 2008 R2/ Windows 7/ Windows 8/ Windows 8.1/ Windows Server 2012/ Windows Server 2012 R2

- Post Script (Fiery Driver 4.8)
- Microsoft Certified Drivers (WHQL)

Mac (Intel)

- OS 10.7 or later
- Fiery Driver 4.8

SAP

- Through a generic PostScript printer driver. The generic PostScript driver supports functionality for Page Sizes (Letter, Legal, A3, A5, and Executive), Duplex printing, and finishing options.
- No Print Driver Support for Unix

Standard Features

Color is a complete in-RIP color management system that is designed to output color that's consistent and predictable across platforms and applications.

Network architecture supports TCP/IPv4, TCP/IP v6, DHCP, DNS, WINS, NTP, SMB (Microsoft peer to peer), Bonjour, HTTP, LDAP, FTP, SNMP, SNT, SMTP, SSL/TLS

Native doc conversion is the automatic conversion and printing of Microsoft Office native files (Word, PowerPoint, Excel).

USB Media Print This feature provides an easy way to connect USB mass storage devices to Fierys and print files from the mass storage device. Folders can also be created on the mass storage device for automatic printing

BookletMaker 4 provides a wizard-based graphical user interface which guides the user through the process of defining a booklet through a step-by-step process for Windows clients.

Direct Mobil Print allows users to print directly from a mobile device to the Fiery Controller which resides on the same wireless network.

PrintMe allows users with a PrintMe subscription to print documents on any Fiery controller that has the PrintMe service (Cloud Printing).

Fiery VUE is an application for office users to visually see how the finished document will look like before printing.

Supported Xerox Solutions

- Xerox Secure Access Unified ID System (all but job limits)
- Nuance eCopy Scan Station
- Nuance eCopy Share Scan Embedded
- Xerox Scan to PC Desktop
- Xerox Mobile print

Utilities

Fiery Command WorkStation 5 (PC and Mac support)

- Color Management
- Queue Management on the Fiery server for operators
- Configure/Setup capability for administrators on the Fiery server for printing
- Job Center for managing jobs,
- Device Center for managing the Fiery server
- Calibrator
- Color Setup
- Fiery Spot On (Purchasable option)

Operating System requirements are:

- MacOS 10.7 and later
- Windows XP, 2003, 2008, 2012 Server, Vista, 7, 8, and 8.1 (32-bit and 64-bit)

WebTools (Import, Downloads, Configure)

For Java capable browser platforms only – supported browsers:

- Windows: IE v8.0 or later, Firefox and Chrome
- Mac: Safari, Firefox and Chrome

System Overview (How it Works)

Powerful Combination - EFI Printing with the Xerox Copy, Scan and Fax workflow

EFI Print

- Fiery Driver 4.8

Copy

- WorkCentre 7970 Copy Feature Set and behavior

Faxing

- WorkCentre 7970 Feature Set and behavior

Scan/E-Mail

- WorkCentre 7970 Scan and E-Mail feature set and behavior

Mobile Print

- WorkCentre 7970 Mobile Print feature set and behavior

WorkCentre PS or PCL Printing

- Configure the Xerox WorkCentre PC drivers to use the IP address assigned to the Fiery Network Controller and to use Port 9200 to bypass the Fiery RIP for direct printing to the WorkCentre Network Controller using Xerox Print driver

Print Quality and Color Management

- Print Resolution is 600x600x1, 1200x1200x1 and 600x600x8 dpi
- Pantone Calibrated
- ICC v4 Profile support
- Rich Black & Print Grays using Black only

Security Features

Secure Erase, IPSec, 802.1x, IPV 6, SNMPv3, MAC filtering, IP filtering/Port blocking, User Authentication, Certificate Management, SSL/TLS support

Network Switch

When the Fiery Network Controller is connected, it allows only one network drop with only one IP address (single IP) for the complete system (WorkCentre 7970 + Fiery Controller). Certain EIP applications (Xerox Solutions applications or 3rd Party Applications, etc) are supported when in a single IP configuration. The Network Switch can be added to allow the customer to still have one network drop with a two IP address configuration to support other EIP applications (Xerox Solutions applications or 3rd Party Applications, etc). This allows the EIP application direct access to the WorkCentre 7970.

Reference Material

A complete set of virtual customer documentation is provided with the Fiery Network Controller. User documentation in other languages is also available at the following link:

<http://services.efi.com/support/vfigs/9019710383/>

Software Updates

Periodically, Xerox will make available bug fixes and other software releases. The EFI option solution must have an Internet connection in order to take advantage of automatic s/w updates and insure the solution is maintained with the latest software and fixes. All software

releases and bug fixes are designed to be customer installable from the Internet and it will be the customer's responsibility to insure Internet access and perform the software upgrade activities.

Print Quality and Color Management

- Print Resolution is 600x600x1, 1200x1200x1 and 600x600x8 dpi
- Pantone Calibrated
- ICC v4 Profile support
- Rich Black & Print Grays using Black only

Security Features

- Secure Erase, IPSec, 802.1x, IPV 6, SNMPv3, MAC filtering, IP filtering/Port blocking, User Authentication, Certificate Management, SSL/TLS support

Reference Material

A complete set of virtual customer documentation is provided with the Fiery Network Controller. User documentation in other languages is also available at the following link:

<http://services.efi.com/support/vfigs/9019710383/>

Software Updates

Periodically, Xerox will make available bug fixes and other software releases. The EFI option solution must have an Internet connection in order to take advantage of automatic s/w updates and insure the solution is maintained with the latest software and fixes. All software releases and bug fixes are designed to be customer installable from the Internet and it will be the customer's responsibility to insure Internet access and perform the software upgrade activities.

Responsibility Matrix

Action	Customer	Xerox
Install the WorkCentre		X
Unpack & install EFI Option / components	X	
Install the utilities, and printer drivers on client PCs.	X	
Ensure network configuration	X	
Confirm network integrity	X	

I have reviewed this EFI® Fiery Server section and understand the specifications listed:

Customer

Xerox Sales Representative

Xerox Customer Service Representative

Links

(Copy and paste link into your browser)

Evaluator guide

- <http://www.office.xerox.com/latest/W79EG-01U.PDF>

Brochure

- <http://www.office.xerox.com/latest/W79BR-01U.PDF>

ConnectKey

- <http://www.office.xerox.com/connectkey/enus.html>

Xerox ConnectKey Technology Whitepaper

- <http://www.office.xerox.com/latest/XOGWP-16U.PDF>

Supported Solutions

- www.office.xerox.com/software-solutions

Certifications

- www.xerox.com/OfficeCertifications

Recommended Materials List

- http://www.xerox.com/downloads/usa/en/supplies/rml/supplies_rml_workcentre-7970.pdf

Customer Agreement

I have reviewed this CEIG document and understand the specifications listed:

Customer

Xerox Sales Representative

Xerox Customer Service Representative